

LID STAY

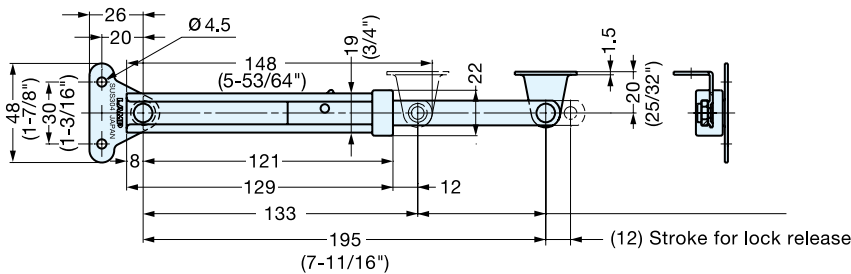
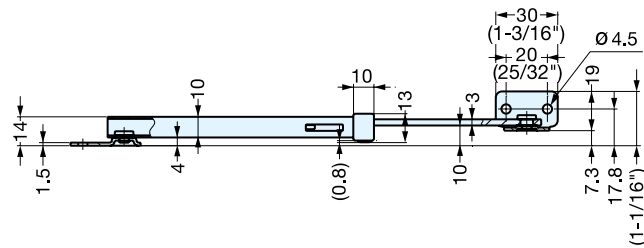
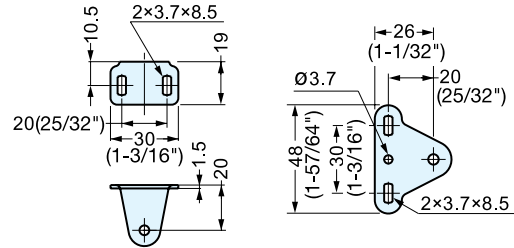
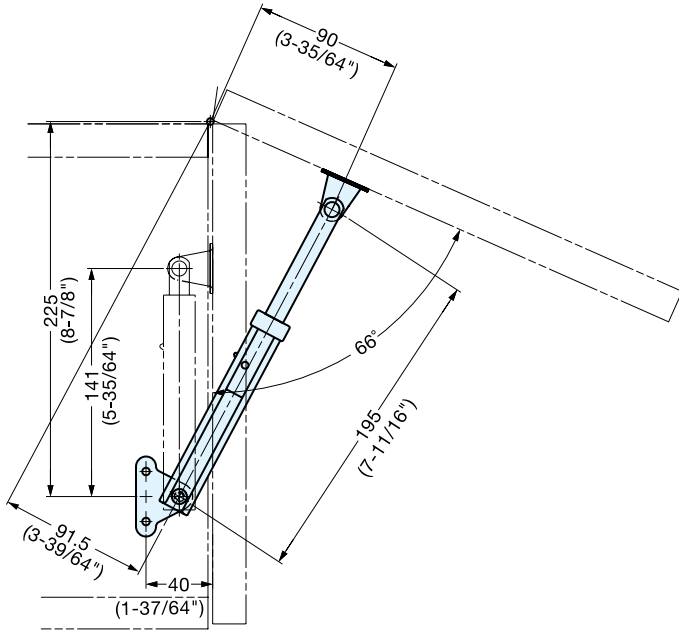
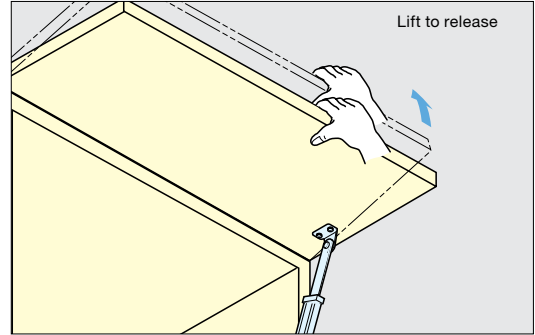


L-195-JC

- Holds lid or panels in fully opened position.
- Lift up lid to release.
- Can be installed individually or in pairs.
- Non handed.
- Load Capacity: 15 kg/each (33 lbs/each).



LID STAY LID SUPPORTS



Item No.	Door Height (mm)	Carton (pcs)	Material
L-195-JC-A	250-350 (9-27/32" - 13-25/32")	100	Stainless Steel/Polyacetal/Aluminum Alloy