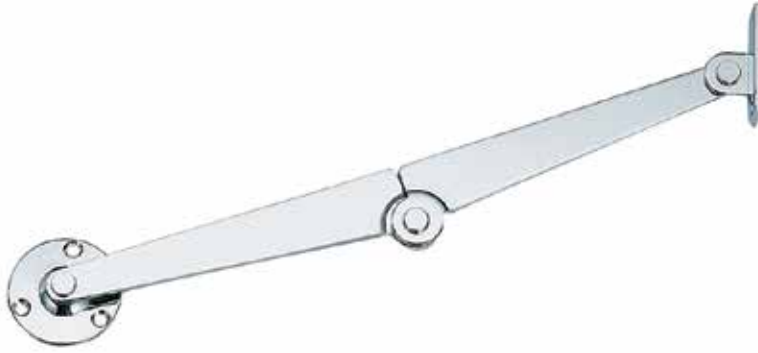


# LID STAY

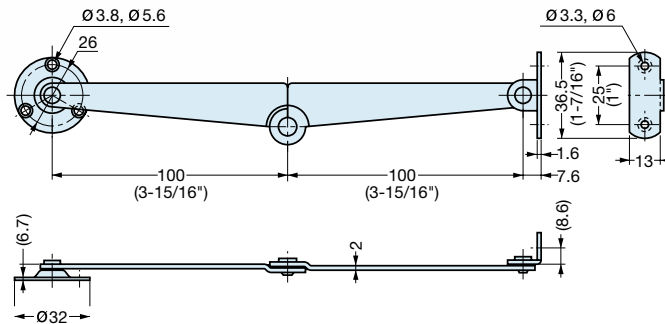


# S-19

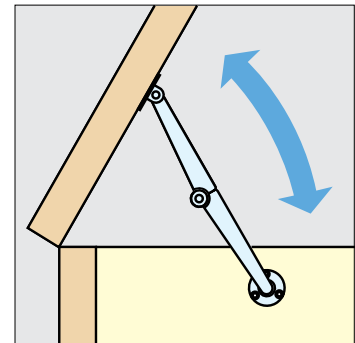


- Keeps lids from over extending.
- Can be installed individually or in pair.
- Handed: Specific left and right hand mounting.

(Left)



Installation (Right handed)



Item No.		Weight (g)	Load Capacity (kg)	Box (pcs)	Carton (pcs)
Left	Right				
S-19L	S-19R	66	43.4 (95.7 lb)	40	160

Material	Finish
Steel/Brass/Nylon (washer)	Chrome

# LID STAY (W/CATCH)

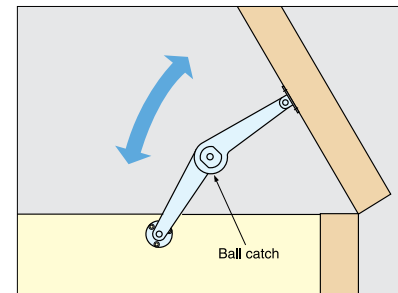
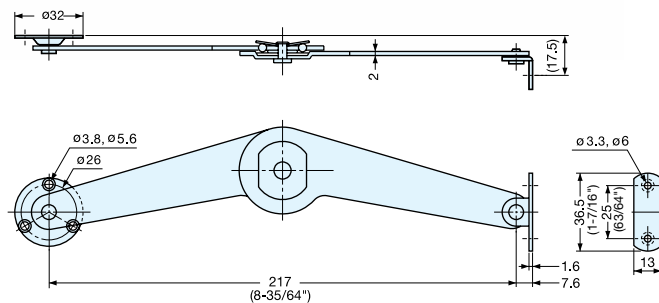


# S-20



- Lid stay with ball catch for light weight doors.
- Catch automatically holds lid in opened position.
- Can be installed individually or in pairs.
- Handed: Specific left and right hand mounting.
- Load Capacity: 41.8 kg(92.1 lbs)/pc.

(Left)



Item No.		Weight (g)	Box (pcs)	Carton (pcs)
Left	Right			
S-20L	S-20R	125	40	160

Material	Finish
Steel/Brass/Nylon (washer)	Chrome