

SOFT-DOWN STAY (SHORT-ARM)



SDS-100-TV/TVZ

LID SUPPORTS

COMPACT SOFT-DOWN STAY



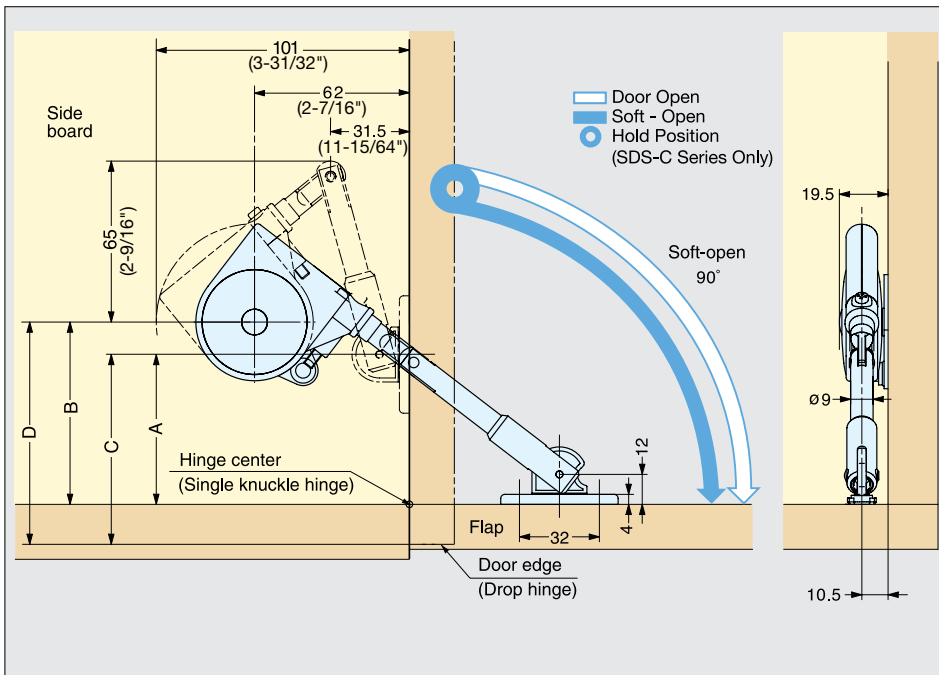
- For DOWNWARD-OPENING FLAP DOOR with concealed, piano, butt or drop hinges.
- Short arm type designed for shorter door height applications.
- SDS-C100TV has a catch to hold the lid in closed position.
- SDS-100TV does not have catch feature. Designed to be used with magnetic catch or touch latch.
- Non-handed: Can be installed on left or right side.
- Torque Calculation:
- Torque = Door Height x 1/2 x Door Weight



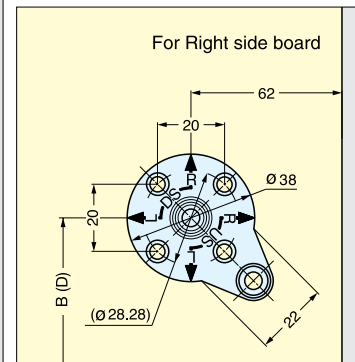
White



Black



Mounting Plate SDS-A



S=Overlay Coverage in case of drop hinge

Hinge Type	A	B	C	D
Single Knuckle Hinge	60	73	-	-
Drop Hinge	-	-	49+S	62+S

Material	Finish/Color
Steel, Zinc Alloy	Nickel
Plastic	Black (B)/White (W)

Item No.	Type	Color	Torque per piece	Torque per pair	Box (pcs)	Carton (pcs)
SDS-100W-TV	W/O Catch	White	5.0~12.0 kgf-cm (4.3 ~ 10.4 lbs-in)	10.0~24.0 kgf-cm (8.6 ~ 20.8 lbs-in)	20	100
SDS-100B-TV		Black				
SDS-C100W-TV	With Catch	White				
SDS-C100B-TV		Black				
SDS-100W-TVZ	W/O Catch	White	16.5~37.6 kgf-cm (14.3 ~ 32.6 lbs-in)	33.0~75.2 kgf-cm (28.6 ~ 65.2 lbs-in)		
SDS-100B-TVZ		Black				
SDS-C100W-TVZ	With Catch	White				
SDS-C100B-TVZ		Black				