

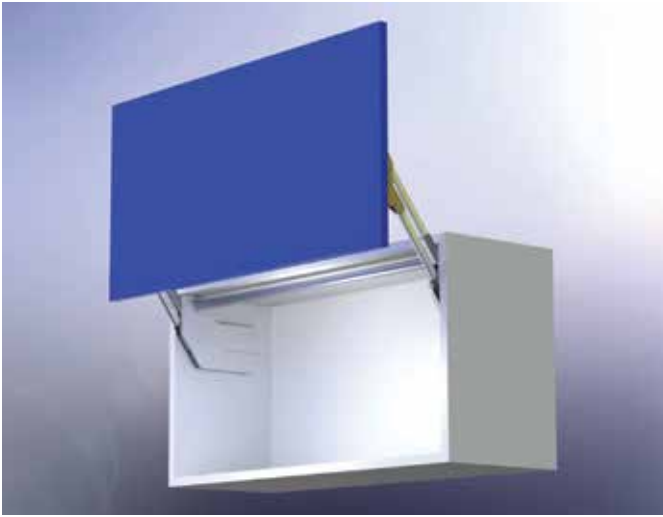
SWING LIFT-UP STAY



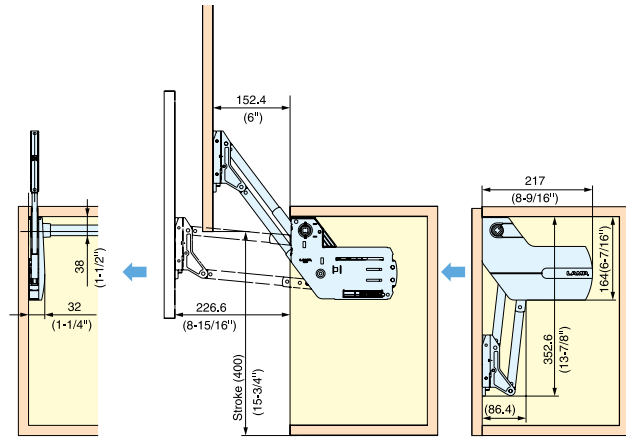
SLU-ELAN

LID SUPPORTS

SWING LIFT-UP STAY

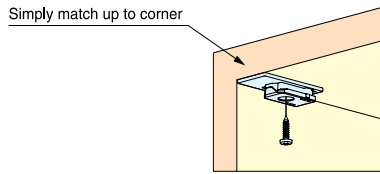


- Lapcon stay for SWING LIFT-UP DOORS.
- Lift-assist mechanism for extra light-opening.
- Free stop feature.
- Damper equipped for soft & quiet closing at the end.
- Simple installation by mounting guide plate and sliding in main body.
- No hinges are required.
- Connecting bar stays on in a fixed location for maximum space inside cabinet.
- Recommended Door Size and Weight :
 - Width, Max. 1500 mm (59")
 - Height, 390~500 mm (15-3/8"~19-11/16")/Door
 - Weight, 5~11 kg (11~24.2 lbs)/Door

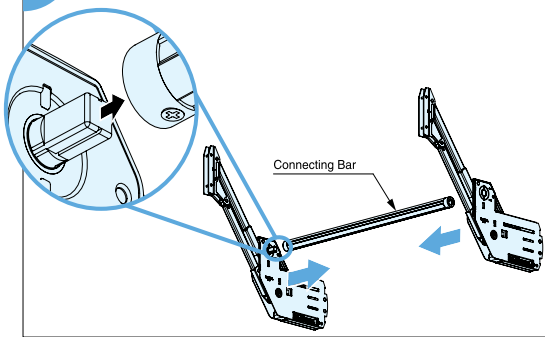


Simple Installation

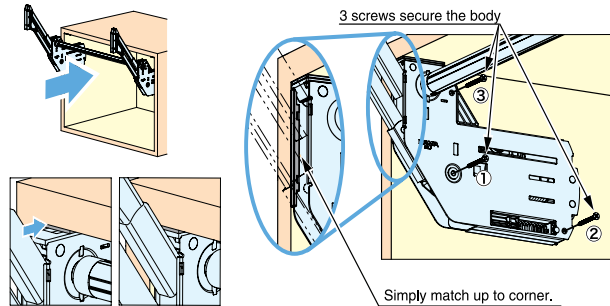
1 Guide plate installation



2 Connection bar installation



3 Body installation



Item No.	Door Weight (kg)	Door Height (mm)	Door Width (mm)	Box	Carton
SLU-ELAN-S4	5.0 - 6.5 (11.0~14.3 lbs)	390~500* (15-3/8"~19-11/16")	Max. 1500 (59")	1 set	5 set
SLU-ELAN-L4	6.5 - 8.0 (14.3~17.6 lbs)				
SLU-ELAN-M4	8.0 - 9.5 (17.6~20.9 lbs)				
SLU-ELAN-H4	9.5-11.0 (20.9~24.2 lbs)				

*Min. inside cabinet height is 360mm (14-3/16")

*Door weight includes handle.

■ Connecting Bar (Sold separately)

Item No.	Cabinet Width (mm)	Inside Dimensions (mm)
ELB-480	600 (23-5/8")	556- 566 (21-7/8"~22-1/4")
ELB-780	900 (35-1/2")	856- 866 (33-3/4"~34-1/8")
ELB-1080	1200 (47-1/4")	1156-1166 (45-1/2"~45-7/8")
ELB-1380	1500 (59")	1456-1466 (57-5/16"~57-3/4")

*Please specify the compartment width when ordering.