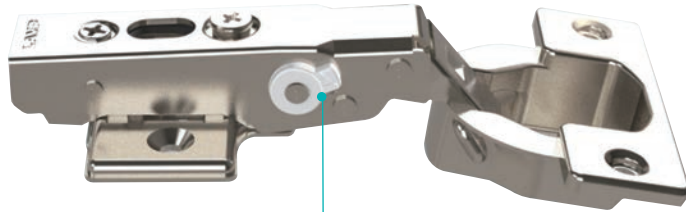


# CONCEALED CUP HINGE (26 mm overlay)



H360-26/C26/D26-26T

FOR THICK DOORS, With damper function (5 levels), 100° opening

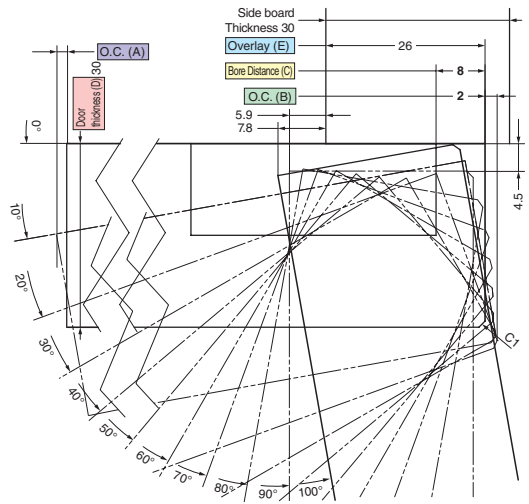
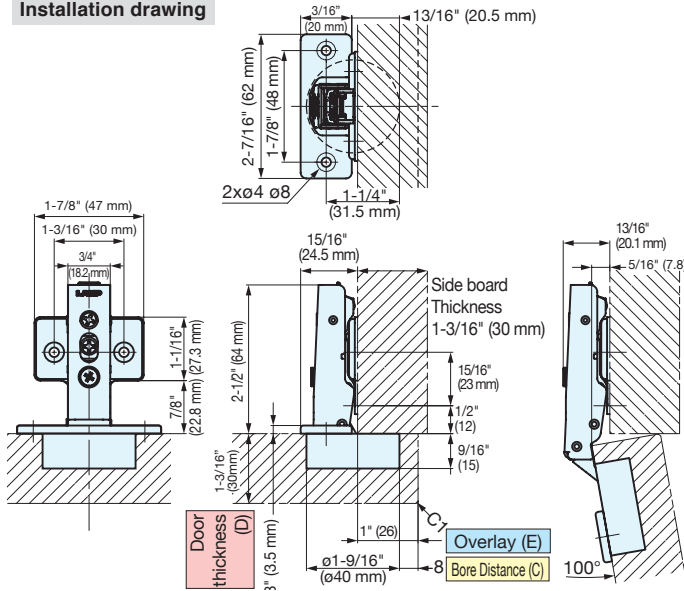


Damper power adjustment lever

- Featuring 5-speed adjustable damper.
- Load capacity: 6 kg (13.2 lbs)/2 pcs, 10 kg (22 lbs)/3 pcs.
- Maximum door width: 600 mm (23-5/8")/2 pcs.
- Maximum door thickness: 20mm (13/16")
- Clip on type for easy installation.
- 3-way adjustment with door installed.
- Mounting plate sold separately.

**Installation drawing**

**Locus chart S=1/1**



Drawings show a hinge, face plate and 360-P4W-30T mounting plate (sold separately).

**Opening Clearance (O.C.)**

Clearances for door edge O.C. (A) and hinge side O.C. (B) are necessary. O.C. (A) and (B) change depending on door thickness and bore distance (C). Refer to locus chart and tables below when designing cabinets.

**Opening clearance (B), door thickness (D) and bore distance (C) relationship**

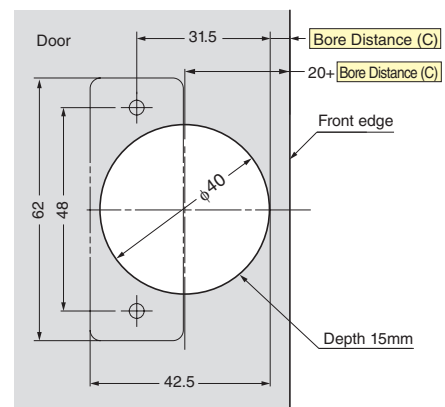
Door Thickness (D)	Bore Distance (C)						
	3	4	5	6	7	8	
18	0.1	0.1	0.1	0.1	0.1	0.1	
20	0.3	0.3	0.3	0.3	0.3	0.3	
22	0.5	0.5	0.5	0.5	0.5	0.5	
24	0.8	0.8	0.8	0.8	0.8	0.8	
26	1.3	1.2	1.2	1.1	1.1	1.1	
28	3.6	2.6	1.6	1.6	1.5	1.5	
30	6.0	5.0	4.0	3.0	2.1	2.0	
32*	8.4	7.4	6.4	5.4	4.4	3.4	
34*	10.8	9.8	8.8	7.8	6.8	5.8	

O.C. (B)

\* The table above shows O.C. (B) for C1 chamfering (chamfer plane).

\* Please refer to the locus chart if door thickness is over 30mm. O.C. (B) can be made smaller by R chamfering (round chamfer) and C chamfering (chamfer plane) on the door.

**Cut out dimensions (wooden doors)**



Item name	Opening angle	Type	Material	Finish	Carton
H360-D26-26T	100°	With damper (5 levels)	Steel	Nickel	100pcs
H360-26-26T		Without catch			
H360-C26-26T		With catch			