

RECESSED HOOK (W/SOFT CLOSE)

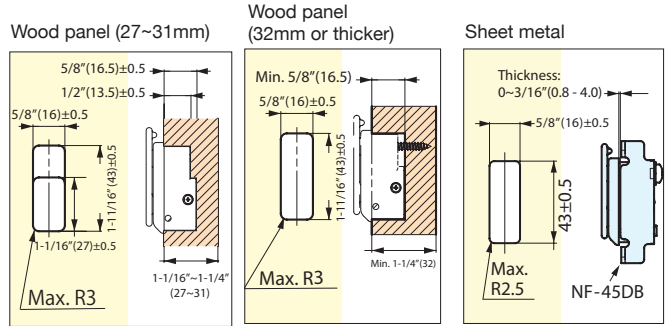
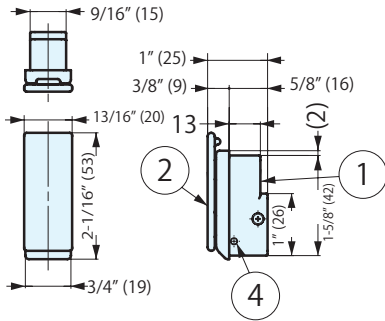


NF-45D

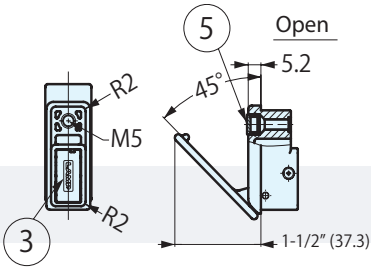


NF-45D-GR NF-45D-BL NF-45D-SSL NF-45D-WT

- A modern, clean hook solution with Motion Design Technology.
- Hook is spring loaded to retract and soft close.
- Convenient screw installation from the front side of the hook.
- Ideal for vibration or shock applications.
- Panel Thickness: - Wood: Min. 27~31 mm (1-1/16~1-1/4")
- Sheet metal: 0.8~4.0 mm
- Hook bracket (NF-45DB) for sheet metal sold separately.



Cut Out Dimensions:
Select the mounting option that best suits your mounting panel.



No.	Part Name	Material	Finish
①	Body	Aluminum Alloy	Grey/Black/Silver White
②	Arm		
③	Cover	Polycetal	Plain
④	Pin	304 Stainless Steel	
-	Spring		
⑤	Bumper	Rubber	Black/White

Item No.	Color	Load Capacity (kg)	Weight (g)	Box (pcs)	Carton (pcs)
NF-45D-GR	Grey	9.1 (20 lbs)	32	10	200
NF-45D-BL	Black				
NF-45D-SSL	Silver				
NF-45D-WT	White				

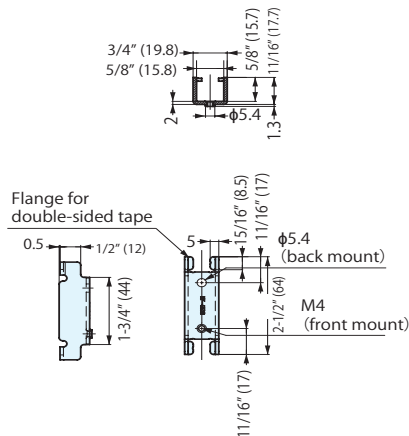
RECESSED HOOK BRACKET



NF-45DB



NF-45DB



- Allows for the NF-45D hook to be mounted onto sheet metal.
- Can be mounted from both front and back sides.
- Has flanges for double-sided tape, which allows for temporary fixing before mounting.

Item No.	Material	Finish	Box (pcs)	Carton (pcs)
NF-45DB	Steel	Yellow Zinc Chromate	40	40