

PUSH-TO-OPEN DOOR LATCH



ML-ZN80

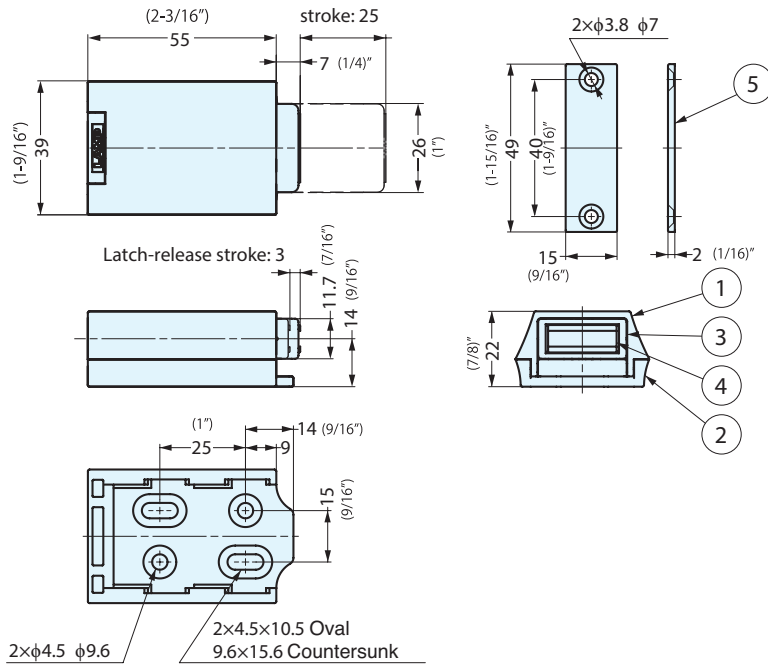


ML-ZN80WT



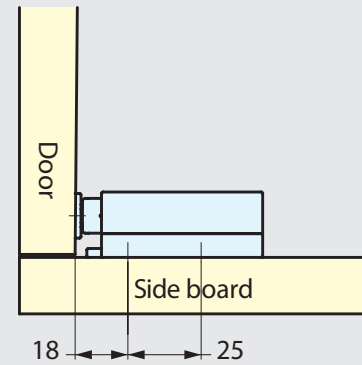
ML-ZN80BL

- Strong 11 lbs push force ideal for large doors. (See HES3D-E190 Concealed Door Hinge Series on pg 184).
- Magnet allows tolerance with 1.5° swivel.
- Hidden Mounting Screw Design for clean appearance and easy installation.
- Passed 100,000 open/close private cycle test.

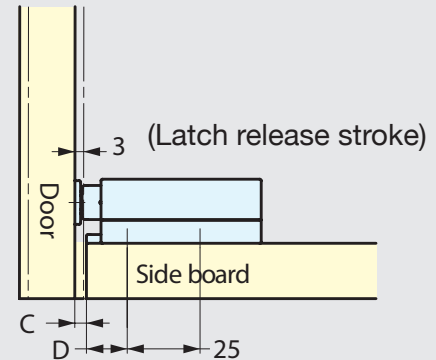


[Installation]

• Inset Doors



• Overlay Doors



Please make sure there is a "C Clearance" on the side board. It makes the installation easier to align the edge of the body to the edge of the side board.

Item No.	Magnetic Force (kg)	Push Force (kg)	Weight (g)	Box (pcs)	Carton (pcs)
ML-ZN80WT	3 (6.6 lbs)	5 (11 lbs)	160	10	40
ML-ZN80BL					

No.	Part Name	Material	Finish/Color
①	Body	Zinc Alloy	White (WT), Black (BL)
②	Mounting Plate		
③	Latch	Plastic (PA)	-
④	Magnet	Ferrite	-
⑤	Strike Plate	Stainless Steel	Plain