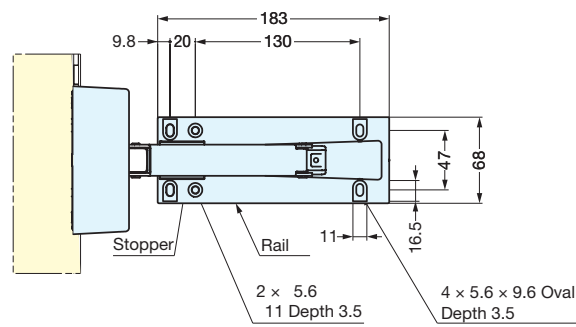
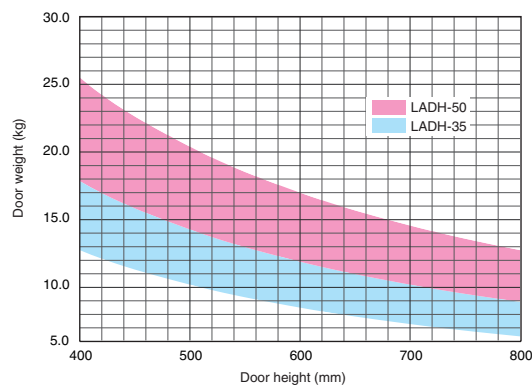
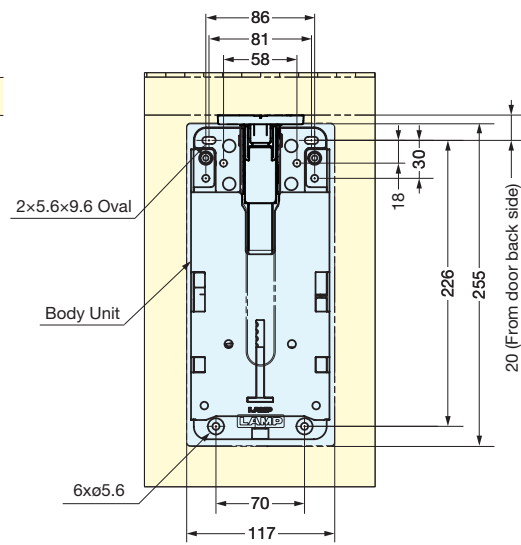
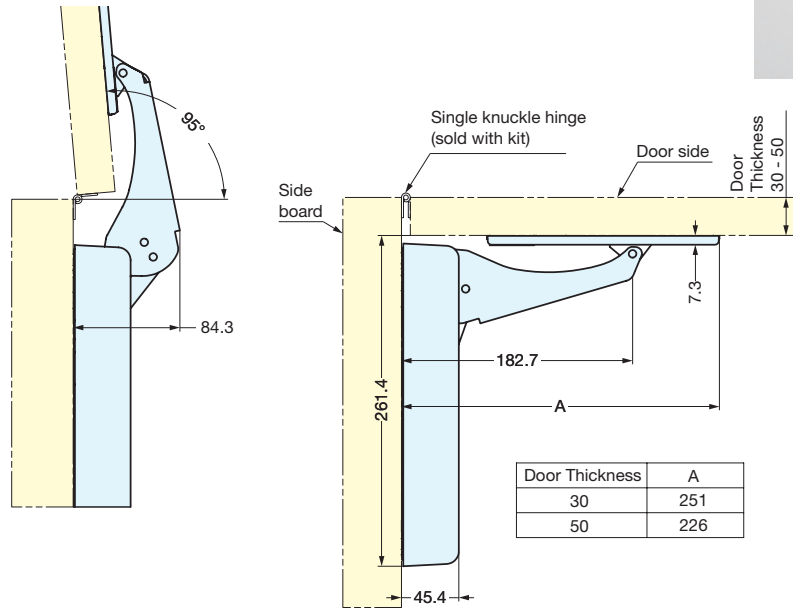
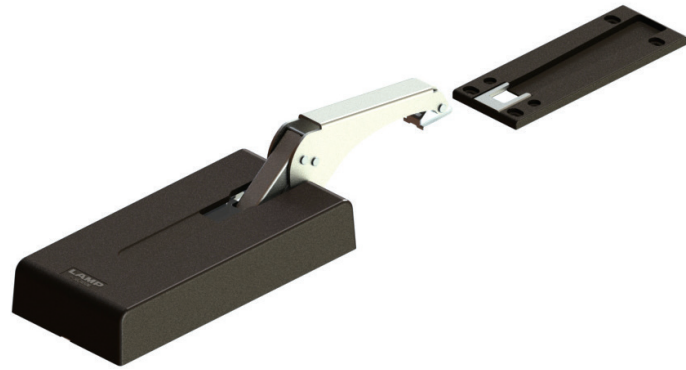


# LIFT-ASSIST DAMPER (Heavy Duty)



LADH

- Add a smooth soft-close to counter tops in restaurants, bars and reception desks to prevent slamming.
- Lift-Assist feature helps users lift countertop
- Holds door open at 95 degrees.
- Easy installation - surface mounted and can be retrofitted
- Stainless steel piano hinge included (see next page for details)

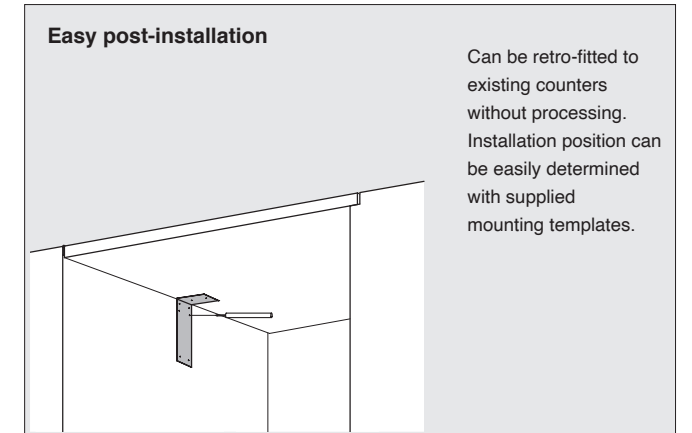
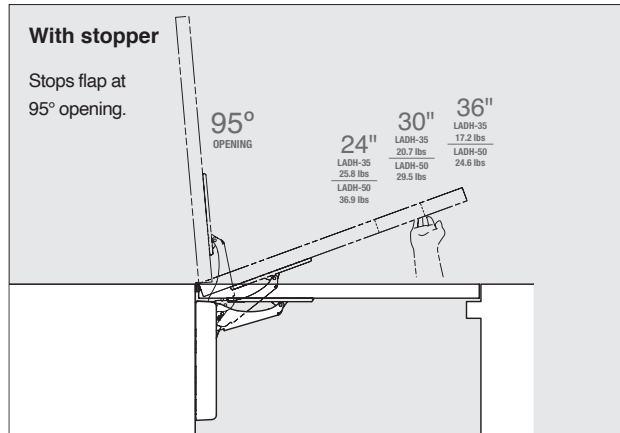
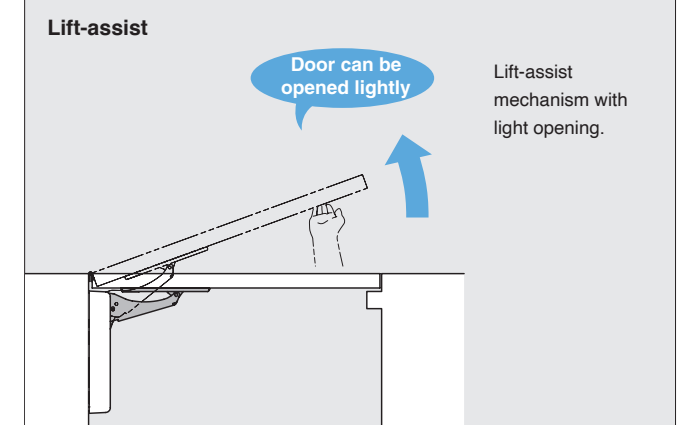
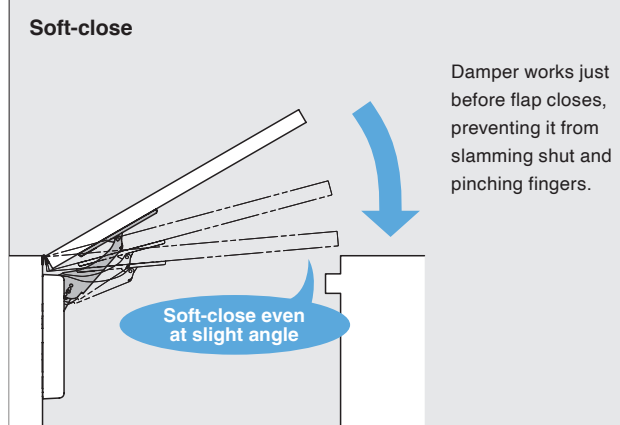


Item No.	Max. Torque per piece (lbs-in)	Panel Thickness	Wt (g)	Box (pcs)	Material	Finish
LADH-35	221 ~ 309	30~50 mm (1-3/16"~2")	2,000	1	Steel (SPCC)/ Polyacetal (POM)/ABS	Arm: Nickel Chrome Body: Dark Brown Other Parts: Nickel Plating
LADH-50	309 ~ 442					

# LIFT-ASSIST DAMPER (Heavy Duty)



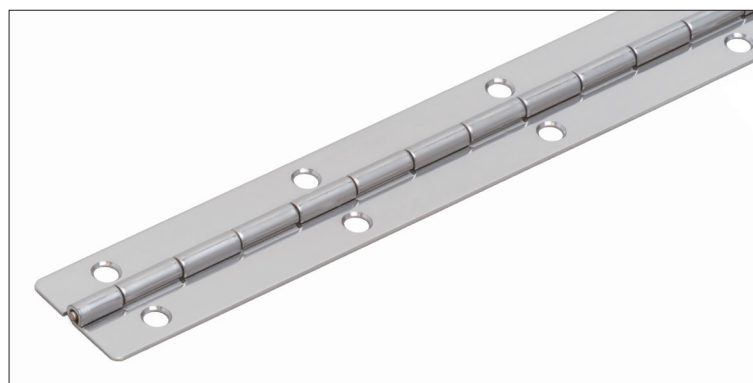
LADH



# STAINLESS STEEL PIANO HINGE for LADH



LSN-C



- Recommended use with LADH Lift Assist Damper
- Please note this product is designed for use on wood. Hole positioning on wood should be done by aligning the actual hinge. This product is not suitable for sheet metal or installations with hole pitch limitations.
- Included as part of the LADH Heavy Duty Lift Assist Damper set.
- Hinge can be cut down to shorter desired length.

Item No.	Weight (g)	Material	Finish
LSN15-38-600C	300	Stainless Steel	Polished

