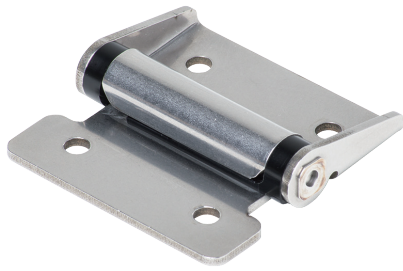


# STAINLESS STEEL TORQUE HINGE



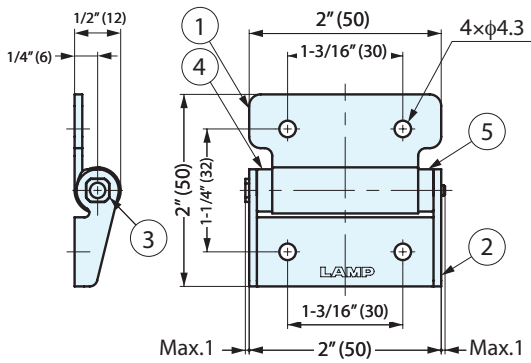
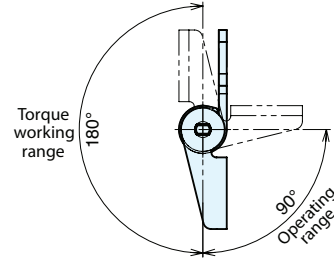
## HG-TP



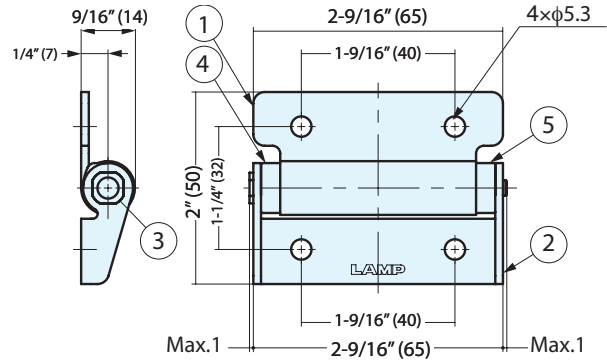
- Hinge with friction torque holds lid/door in desired position.
- Stainless steel material ideal for harsh environments.
- Free stop between 0~180 degrees.
- Wrap-type torque technology enables torque to maintain stability when vertical
- Ideal for medical and machine equipment.

Note:

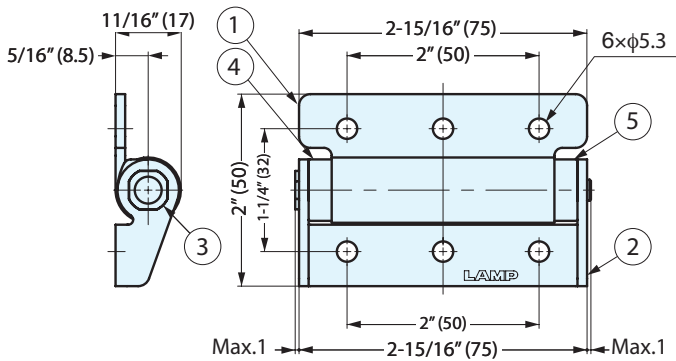
- At least 2 hinges necessary for 1 door.



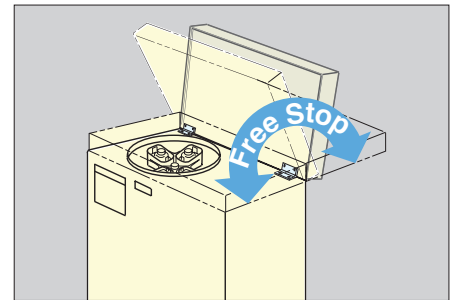
HG-TP20



HG-TP30



HG-TP45



Item No.	Torque per piece (kgf·cm)	Weight (g)	Box (pcs)	Carton (pcs)
HG-TP20	20.3 (17.6 lbs-in)	60	50	200
HG-TP30	30.5 (26.5 lbs-in)	90	25	100
HG-TP45	45.8 (40 lbs-in)	150		

No.	Part Name	Material	Finish
①	Body	304 Stainless Steel	Polished
②	Base		
③	Fixing Tube	Polyacetal	Black
④	Fixing Tube		
⑤	Shaft	303 Stainless Steel	-