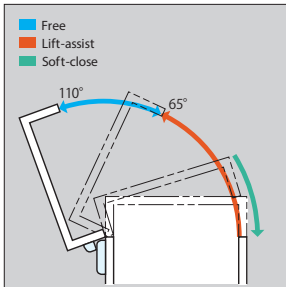
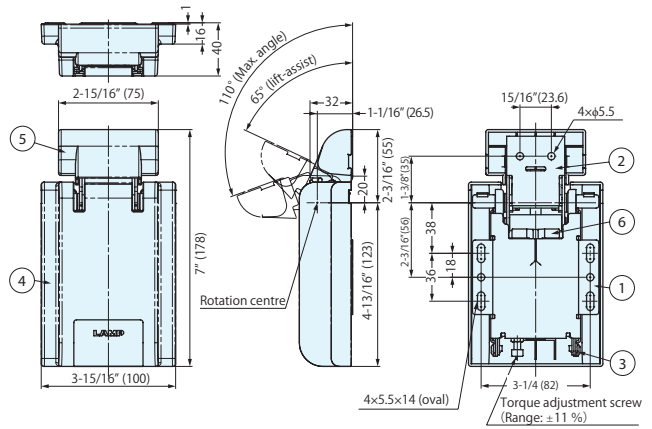
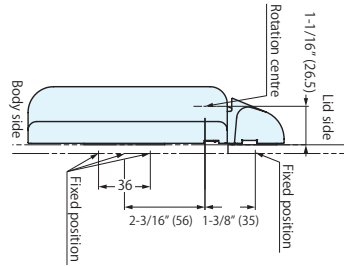


POWER ASSIST HINGE



HG-PA182-9

- Power assist hinge to reduce the effort to open the lid/door.
- External surface mounted to save space inside the application.
- Soft closing function to prevent slamming of the lid/door.
- Torque adjustable ($\pm 11\%$).
- Ideal for medical and machine equipment.



Item No.	Torque per piece (kgf-cm)	Weight (g)
HG-PA182-9	91 $\pm 10\%$ (79 $\pm 10\%$ lbs-in)	800

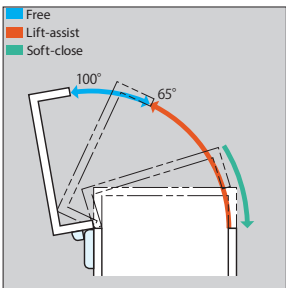
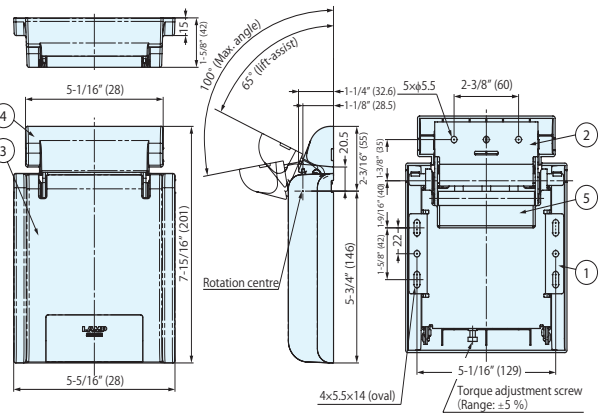
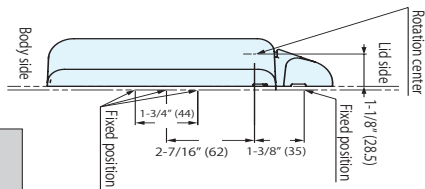
No.	Part Name	Material	Finish
①	Base A	430 Stainless Steel	Plain
②	Base B		
③	Case		
④	Plastic Cover A	PBT plastic	Light Grey
⑤	Plastic Cover B		
⑥	Slider	Polyacetal	-
-	Spring	Steel	-

POWER ASSIST HINGE



HG-PA202

- Power assist hinge to reduce the effort to open the lid/door.
- External surface mounted to save space inside the application.
- Soft closing function to prevent slamming of the lid/door.
- Torque adjustable ($\pm 5\%$).
- Ideal for medical and machine equipment.



Item No.	Torque per piece (kgf-cm)	Weight (g)
HG-PA202-15	153 $\pm 10\%$ (133 $\pm 10\%$ lbs-in)	1385
HG-PA202-20	204 $\pm 10\%$ (177 $\pm 10\%$ lbs-in)	
HG-PA202-25	255 $\pm 10\%$ (221 $\pm 10\%$ lbs-in)	

No.	Part Name	Material	Finish
①	Base A	430 Stainless Steel	Plain
②	Base B		
③	Case		
④	Plastic Cover A	PBT plastic	Light Grey
⑤	Plastic Cover B		
⑥	Slider	Polyacetal	-
-	Spring	Steel	-