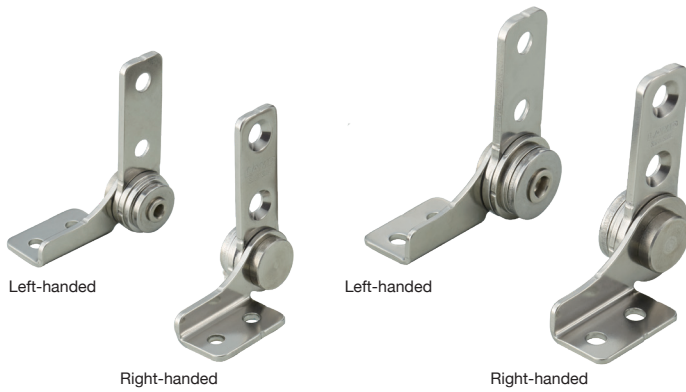


ALL STAINLESS STEEL TORQUE HINGE

STAINLESS
304
STEEL

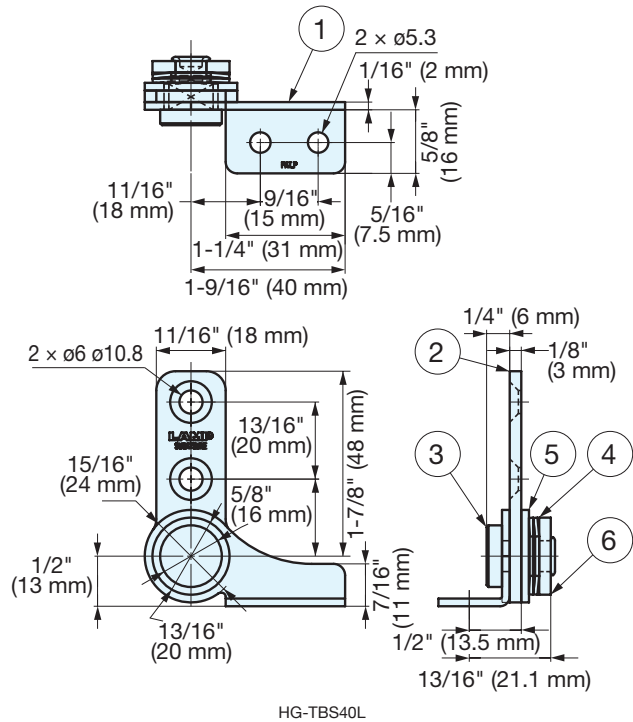
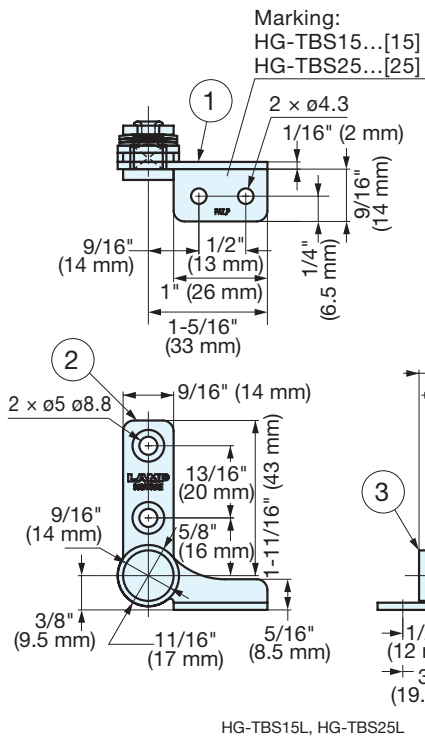
HG-TBS



- Torque hinge is made entirely from stainless steel, making it suitable for use in corrosive environments.
- For pair use. When installing, ensure that both hinge shafts are leveled and aligned.
- Operating temperature: 0°~40°C (32°~104°F).
- Great for LCD's, monitoring camera displays, medical and food equipment.
- High Durability: HG-TBS passed 40,000 open/close private cycle test, twice that of HG-TB torque hinge (20,000 cycles).

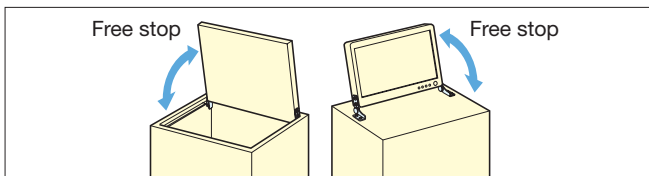
Free stop

Passed 40,000 open/close private cycle test



Left-handed type shown. Right-handed type is symmetrical.

Application Example



No.	Part Name	Material	Finish
①	Body	304 Stainless Steel	Barrel Polished
②	Base		
③	Shaft	303 Stainless Steel	-
④	Spring Washer	304 Stainless Steel	Barrel Polished
⑤	Plate		
⑥	Washer	430 Stainless Steel	

Item No.	Type	Torque (lb · in)	Opening Angle	Weight (g)	Box (pcs)	Carton (pcs)
HG-TBS15R	Right	13.2 ^{±20%}	360°	37	40	320
HG-TBS15L	Left			37	40	320
HG-TBS25R	Right	22.1 ^{±20%}		38	40	320
HG-TBS25L	Left			38	40	320
HG-TBS40R	Right	35.4 ^{±20%}		67	20	160
HG-TBS40L	Left			67	20	160