

GLASS HINGE (INSET)

GS-GH20

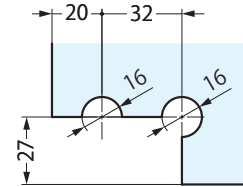


Chrome (CR)

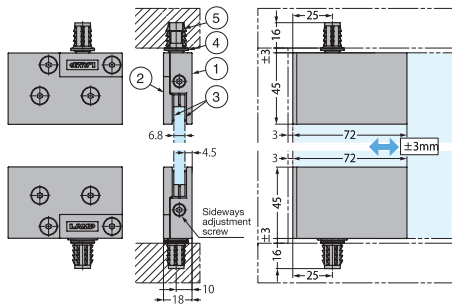
Gold Plated (GP)

Black (BL)

- Glass showcase hinge for inset door application.
- Can be used with the Million Lock Cylinder GS-GL20 to ensure unified design (lock, catch and hinge).
- Temporary hold function that enables a single person to install the door.
- Adjustments for up to ± 3 mm by simply turning the adjustment screw.



Cut Out Dimension



No.	Part Name	Material	Finish
1	Body	Zinc Alloy	Chrome, 24K Gold Plated, Black
2	Back Plate		Black
3	Washer	Chloroprene Rubber	Black
4	Axis	Stainless Steel	Stainless Steel
5	Insert	Zinc Alloy	-

Item Name	Door Width (mm)	Door Height (mm)	Door Weight (kg)	Glass Thickness (mm)	Finish
GS-GH20-CR	Max. 27-9/16" (700 mm)	Max. 63" (1600 mm)	44 lbs/2 pcs (20 kg/2 pcs)	1/4"~5/16" (6~8 mm)	Chrome
GS-GH20-GP					Gold Plated
GS-GH20-BL					Black

GLASS BRACKET

GS-GB20

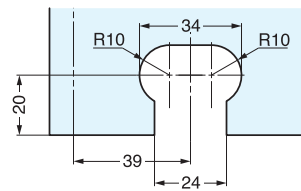
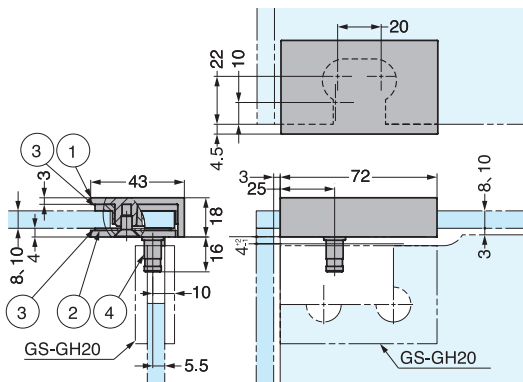


Chrome (CR)

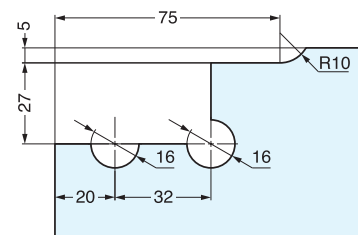
Gold Plated (GP)

Black (BL)

- Can be used together with glass hinge GS-GH20 (above) and lock GS-GL20.



Cut Out Dimension



Item Name	Type	Glass Thickness(mm)	Finish
GS-GB20-R-CR	Right	5/16"~3/8" (8~10)	Chrome Plated
GS-GB20-L-CR	Left		24K Gold Plated
GS-GB20-R-GP	Right		Black Painted
GS-GB20-L-GP	Left		
GS-GB20-R-BL	Right		
GS-GB20-L-BL	Left		

No.	Part Name	Material	Finish
1	Body	Zinc Alloy	Chrome, 24K Gold Plated, Black Painted
2	Back Plate	304 Stainless Steel	
3	Washer	Chloroprene Rubber	Black
4	Rotating Axis	Stainless Steel	Stainless Steel