

FOLDING BRACKET with damper

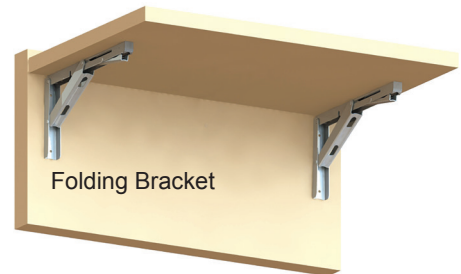


EB-303/EP-D



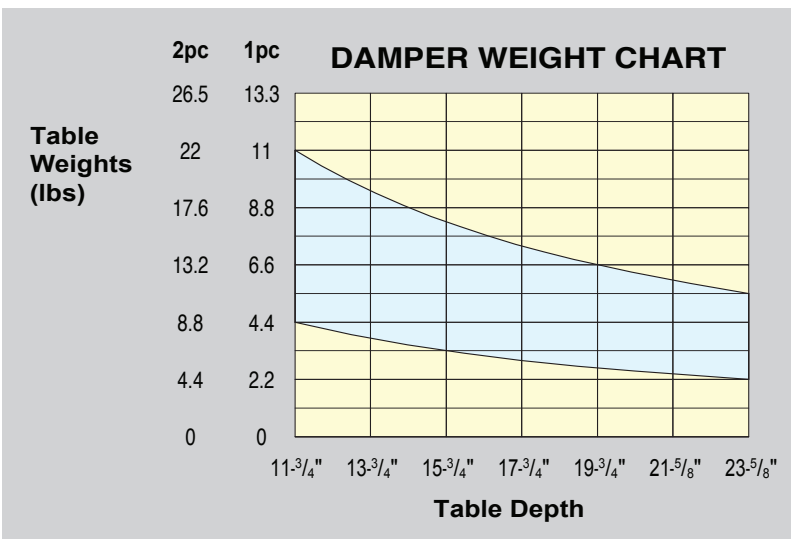
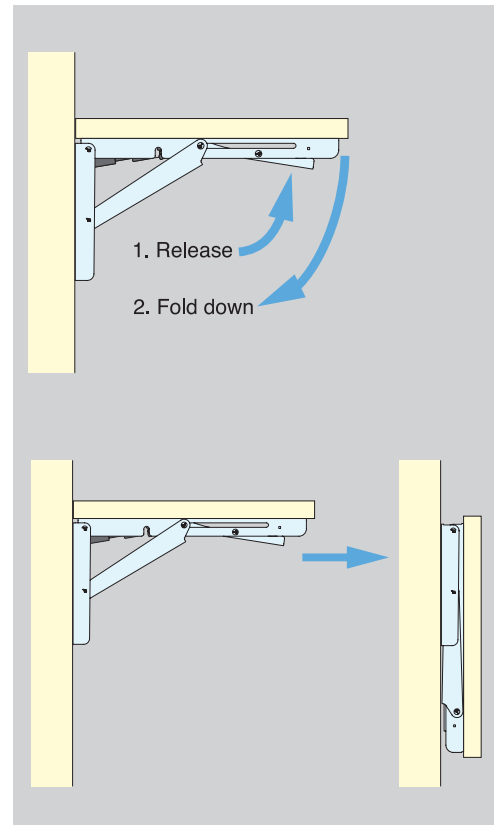
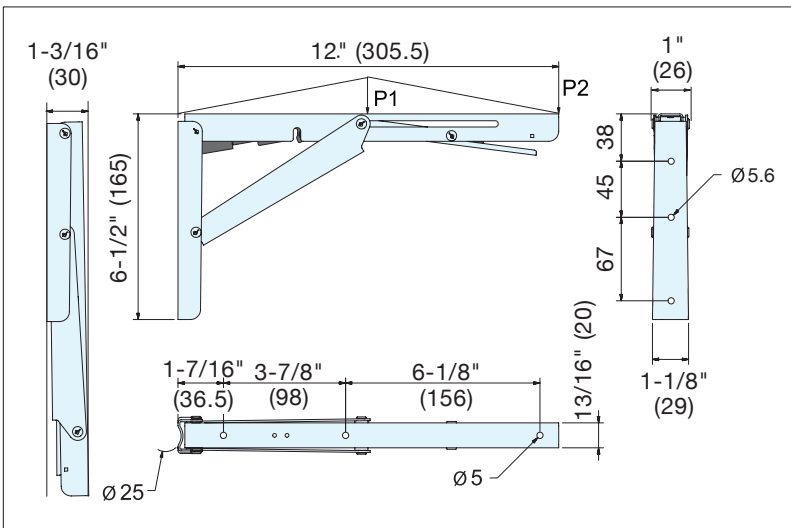
- Automatically locks when flap is in open position.
- Press lever to release the lock.
- Hinges not required.
- Damper unit with a soft-closing feature which makes it smoother and safer.
- Durability tested 50,000 cycles (private).
- Refer to the DAMPER WEIGHT CHART for damper weight capacity.

Application Example



SHELF & SUPPORT HARDWARE

FOLDING BRACKETS WITH DAMPER



Item No.	Bracket Load Capacity P1 (kg)	Bracket Load Capacity P2 (kg)	Weight (g)	Carton (pcs)
EB-303/EP-D	150 (330 lbs)	75 (165 lbs)	515	20

Part Name	Material
Main Body	304 Stainless Steel
Plate Spring	
Rivet	