

# TRIANGLE BRACKET



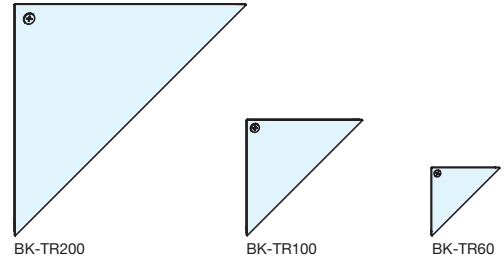
BK-TR200-SL

BK-TR100-WT

BK-TR60-BL

- Durable shelf bracket with a unique triangle design.
- Stylish appearance with concealed mounts.
- Mounting screws included for the base and cover.
- Cables can be wired and hidden through the inside of the bracket.
- Ideal for cafe/shop counter, work or study area, kitchen counter.

### Size Comparison

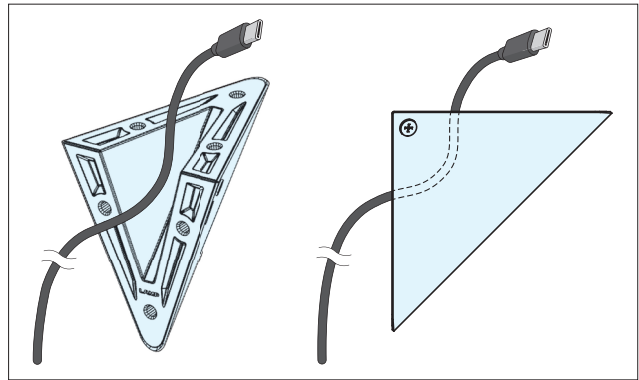


### Examples of Use



The distinctive design of the shelves gives them a more stylish appearance.

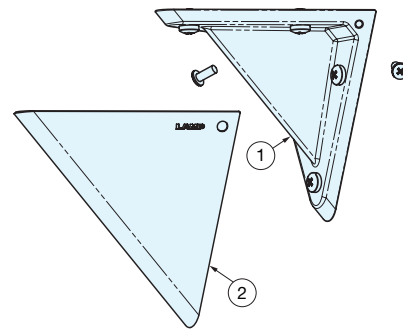
### Example of Mounting



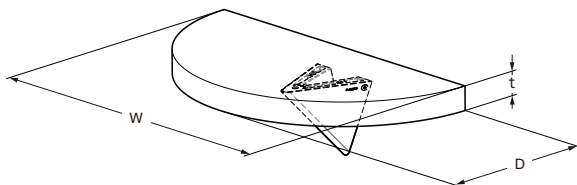
For a clean look, cables can be wired through the bracket.



Not required to use in pairs.  
For single bracket application, usage with a semicircle board is recommended.



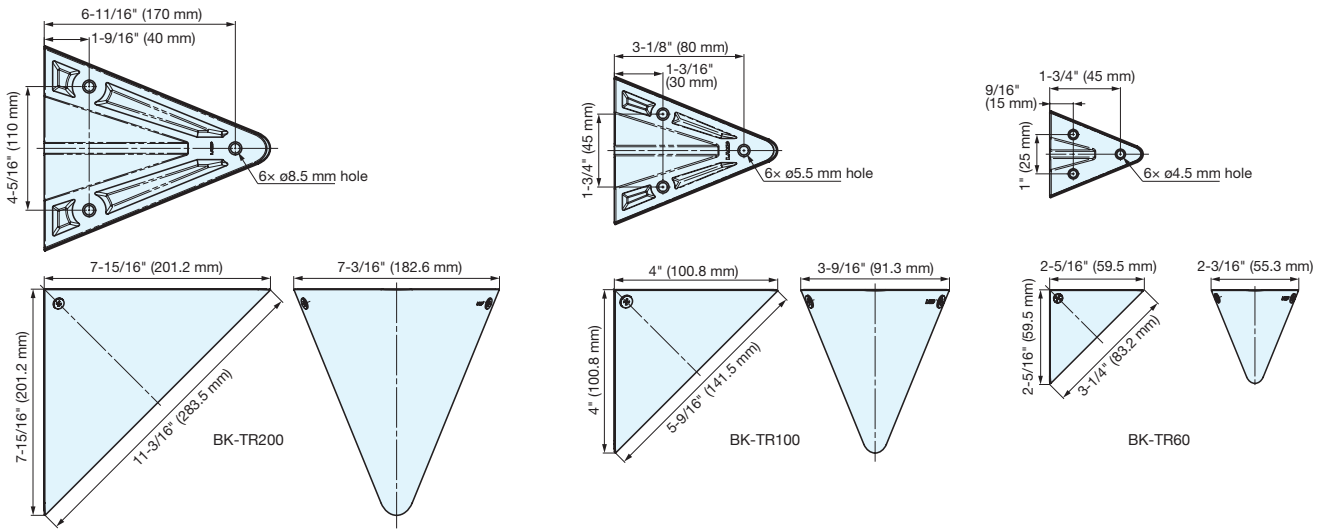
No.	Part Name	Material	Finish
①	Base	Aluminium Alloy	Plain
②	Cover	Steel	Acrylic Baked Enamel Paint



### Semicircular Board Size (Single bracket application)\*

	BK-TR60	BK-TR100	BK-TR200
W/Max. width (Center mounting)	11-13/16" (300 mm)	15-3/4" (400 mm)	31-1/2" (800 mm)
D/Max. depth	5-15/16" (150 mm)	7-7/8" (200 mm)	15-3/4" (400 mm)
t/Min. board thickness	13/16" (20 mm)	1-3/16" (30 mm)	1-3/16" (30 mm)

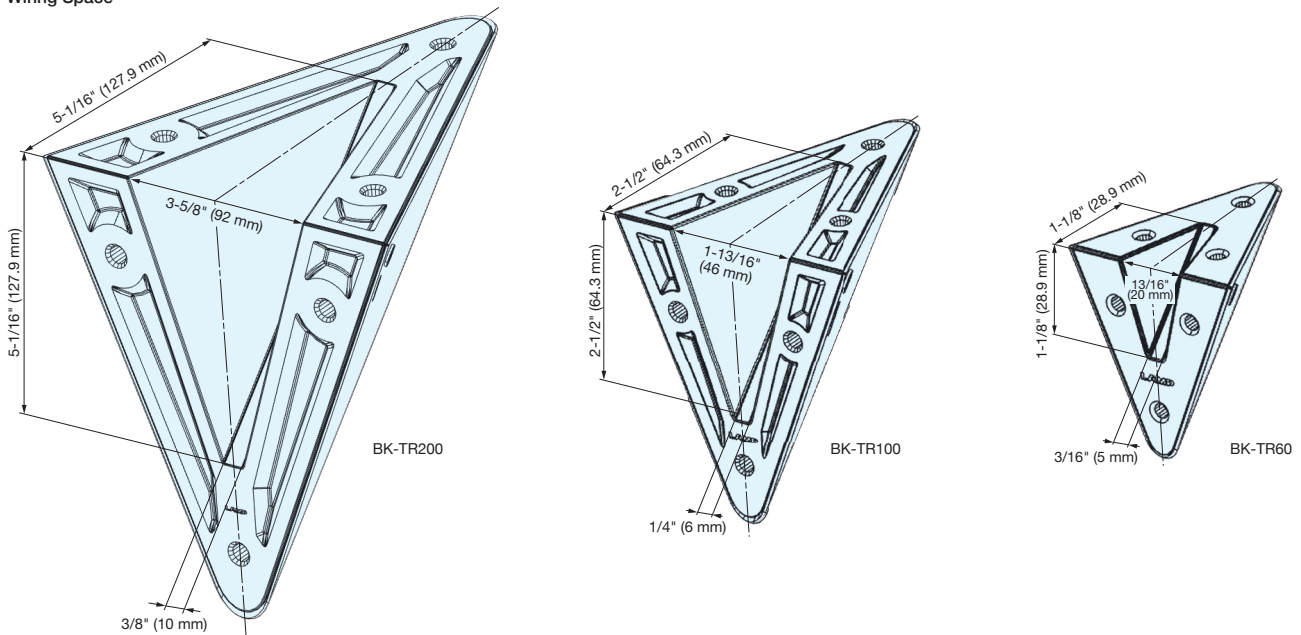
Use a top board made of a strong material that can withstand the required load capacity.



Item Name	Included Screw	
	For Fixing Base	For Fixing Cover*
BK-TR60-SL	Cross recessed pan head tapping screw 4x20 (6)	Cross recessed ultra thin head screw M3x6 (2)
BK-TR60-WT		
BK-TR60-BL		
BK-TR100-SL	Cross recessed pan head tapping screw 5x30 (6)	Cross recessed ultra thin head screw M4x10 (2)
BK-TR100-WT		
BK-TR100-BL		
BK-TR200-SL	Wall: Cross recessed pan head tapping screw 8x40 (3) Top board: Cross recessed pan head tapping screw 8x35 (3)	Cross recessed ultra thin head screw M5x12 (2)
BK-TR200-WT		
BK-TR200-BL		

\* The heads of the cover fixing screws have the same finish as the cover.

Wiring Space



Item Name	Finish	Load Capacity/ 1pc **	Weight (g)	Box (pcs)	Carton (pcs)
BK-TR60-SL	Silver	89.9 lbs (40.8 kg)	75	10	60
BK-TR60-WT	White				
BK-TR60-BL	Black				
BK-TR100-SL	Silver	179.8 lbs (81.6 kg)	240	4	24
BK-TR100-WT	White				
BK-TR100-BL	Black				
BK-TR200-SL	Silver	224.8 lbs (102 kg)	1360	2	8
BK-TR200-WT	White				
BK-TR200-BL	Black				

\*\* The load capacity values were measured when load is applied to the tip position of the product.