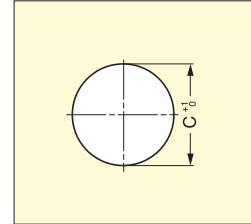
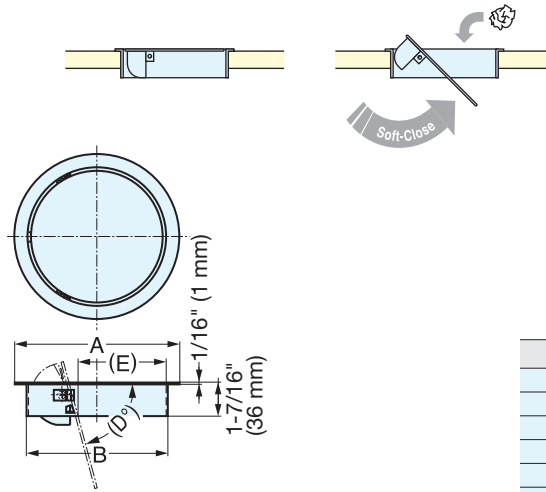


MULTI-PURPOSE LID (SOFT CLOSE)



AD-GD

- Soft and slow closing movement with a built-in damper mechanism.
- Wide opening, self-leveling lid.
- Stainless steel for corrosion resistance.
- Operating temperature: 32°F - 104°F (0°C - 40°C)
- Horizontal use only.



Cut Out Dimensions

Material	Finish
304 Stainless Steel	Satin
303 Stainless Steel	
Polyacetal	
Steel	
CRC	
NBR (Rubber)	

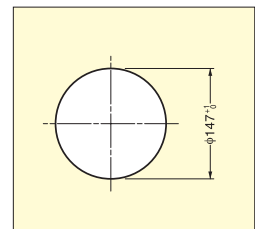
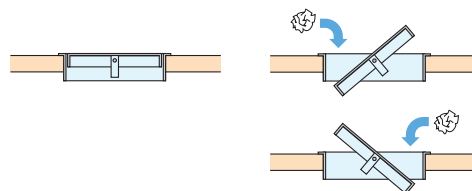
Item No.	Old Item No.	A	B	C	D	E	Weight (g)	Box (pcs)	Carton (pcs)
AD-GD011-HL	AD-DH011-HL	5-3/8" (136)	4-3/16" (106)	4-3/16" (107)	3-7/16" (87)	2-7/16" (62)	460	1	10
AD-GD015-HL	AD-DH017-HL	6-11/16" (170)	5-3/4" (146)	5-13/16" (147)	2-15/16" (75)	3-9/16" (90)	1000		6
AD-GD020-HL	-	8-11/16" (220)	7-3/4" (196)	7-13/16" (198)	3-1/8" (80)	5-1/16" (128)	1060		4
AD-GD028-HL	-	11-13/16" (300)	10-7/8" (276)	10-15/16" (278)	3" (77)	7-5/16" (186)	1840		

MULTI-PURPOSE LID



AD-DH015-HL

- Self-leveling lid.
- Horizontal use only.



Cut Out Dimensions

Item No.	Weight (g)	Box (pcs)	Carton (pcs)	Material	Finish
AD-DH015-HL	554	1	10	304 Stainless Steel	Satin