

MULTI-PURPOSE LID W/DAMPER



AZ-GD

MISCELLANEOUS

MULTI-PURPOSE LID W/DAMPER



- Built in damper to keep the lid from slamming shut.
- Integrated anti-pinching plates.
- Vertical use only.
- Corrosion resistant.
- Guide sold separately.



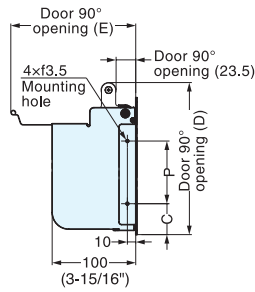
AZ-GD180-HL



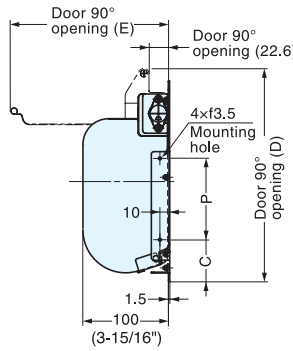
AZ-GD230-HL



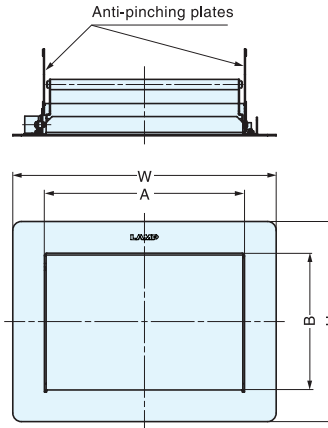
AZ-GD310-HL



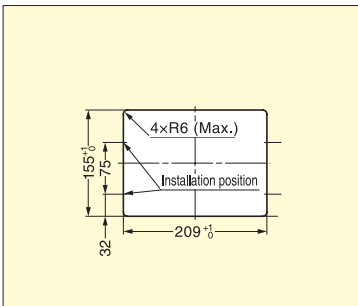
AZ-GD180-HL



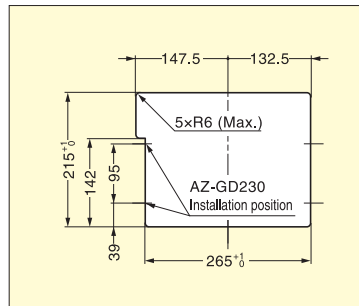
AZ-GD230-HL
AZ-GD310-HL



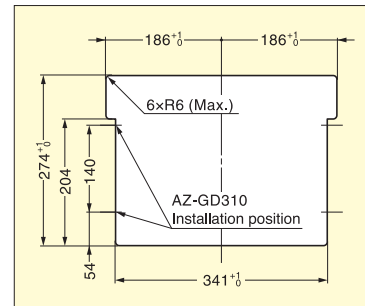
Cut Out Dimensions



AZ-GD180-HL



AZ-GD230-HL



AZ-GD310-HL

Material	Finish
304 Stainless Steel	Satin

Item No.	A	B	W	H	C	D	E	P	Weight (g)	Box (pcs)	Carton (pcs)
AZ-GD180-HL	182 (7-11/64")	128 (5-3/64")	218 (8-37/64")	164 (6-29/64")	37	182	149.5	75	1042	1	10
AZ-GD230-HL	234 (9-7/32")	160 (6-19/64")	308 (12-1/8")	234 (9-7/32")	49	249	184.7	95	1486		
AZ-GD310-HL	310 (12-13/64")	220 (8-21/32")	384 (15-1/8")	294 (11-37/64")	64	310	244.7	140	2236		