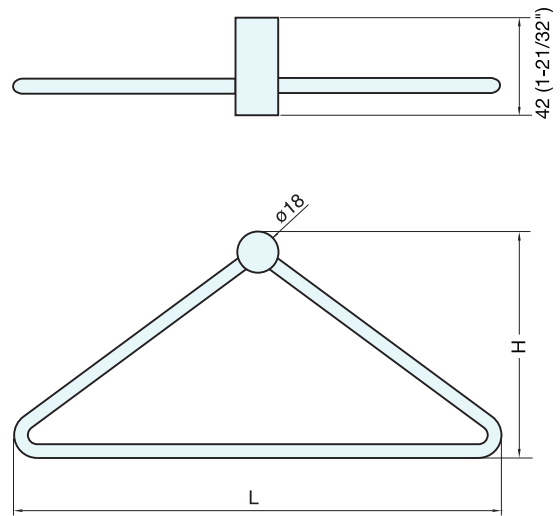
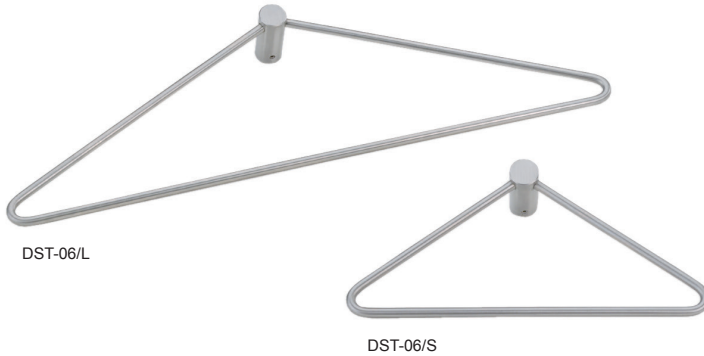


TOWEL BAR



DST-06

- Supplied with screw, bracket, plastic expansion anchor and allen key.



Item No.	L	H	Weight (g)	Box (pcs)	Carton (pcs)
DST-06/S	213 (8-25/64")	108 (4-1/4")	173	1	10
DST-06/L	390 (15- 3/8")	125 (4-15/16")	241		

Material	Finish
303/304 Stainless Steel	Satin

TOWEL BAR

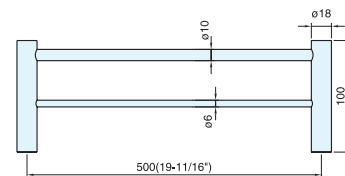


DSR-02

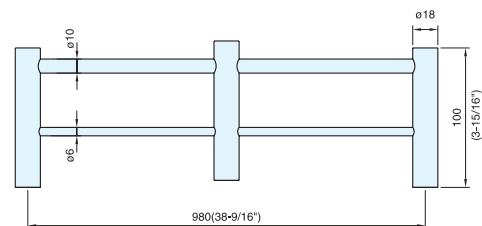
- Supplied with screws, brackets, plastic expansion anchors and allen key.



DSR-02/50



DSR-02/98



Item No.	Weight (g)	Box (pcs)	Carton (pcs)
DSR-02/50	777	1	10
DSR-02/98	1352		

Material	Finish
303/304 Stainless Steel	Satin