

LEVELING GLIDES *Special Order Item

MDSF

CASTERS & LEVELING GLIDES

LEVELING GLIDES

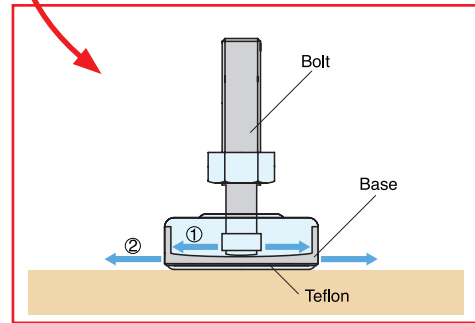
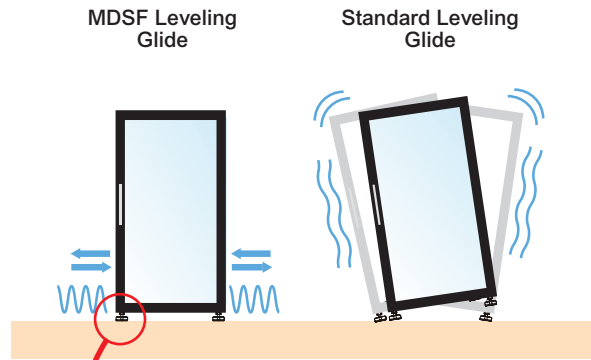
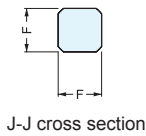
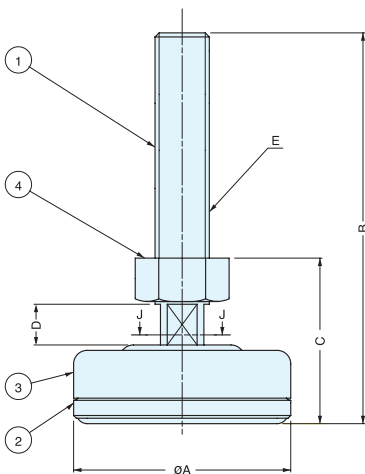
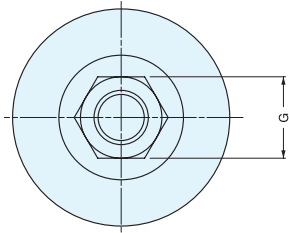


MDSF80-20-100

MDSF58-16-80

MDSF58-10-40

- Glide absorbs shock to reduce movement transmitted to cabinets and equipment, reducing damage to objects within the cabinet as well as those in the surrounding area.
- Keeps aisles and emergency exits clear by reducing the risk of falling furniture or equipment.
- Can be used in raised/access flooring where floor anchors cannot be used.
- Similar installation and appearance to traditional glides, but with value-added function and higher cost performance.
- 2-step shock absorption: internally between bolt and glide base, and externally between glide base and flooring.
- Use with computer server racks, precision equipment, medical equipment, etc.
- Sold in sets of 4 pieces.



No.	Part Name	Material	Finish
①	Bolt	Steel	Nickel
②	Base	Steel, Teflon	-
③	Cover	NBR	-
④	Nut	Steel	Chromate

Item No.	Max. Recommended Dimensions (WxDxH)	Maximum Weight (kg)/4pcs
MDSF58-10- 40	16-1/8"x24-13/16"x15-3/8" (410x630x390 mm)	204 (450 lbs)
MDSF58-16- 80	28-3/4"x28-3/4"x57-1/2" (730x730x1460 mm)	510 (1122 lbs)
MDSF80-20-100	39-3/8"x39-3/8"x78-3/4" (1000x1000x2000 mm)	765 (1687 lbs)

Item No.	A	B	C	D	E	F	G	Weight (g)	Box (pcs)	Carton (pcs)
MDSF58-10- 40	58 (2-5/16")	66 (2-5/8")	35	8	M10	8	17	180	4 (1 set)	40 (10 sets)
MDSF58-16- 80	58 (2-5/16")	114 (4-1/2")	48	11	M16	13	24	300		
MDSF80-20-100	80 (3-1/8")	114 (5-11/16")	61	15	M20	16	30	580		