

LEVELING GLIDE



TG

CASTERS & LEVELING GLIDES

LEVELING GLIDES

- Low profile leveling glide.
- Knurled rim for easy adjustment.
- Easy installation with phillips screw driver.



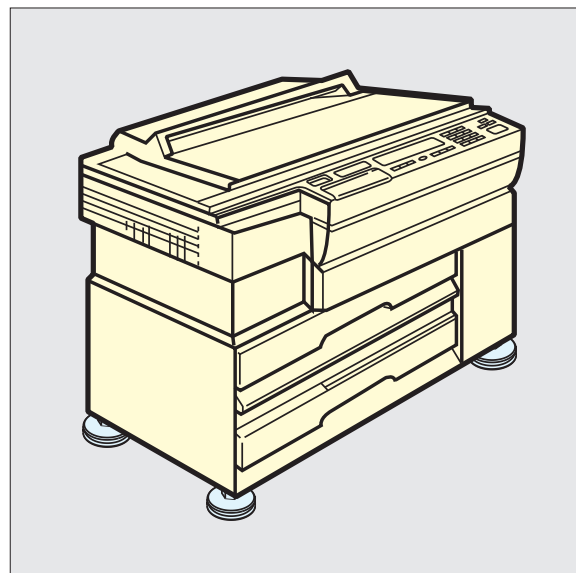
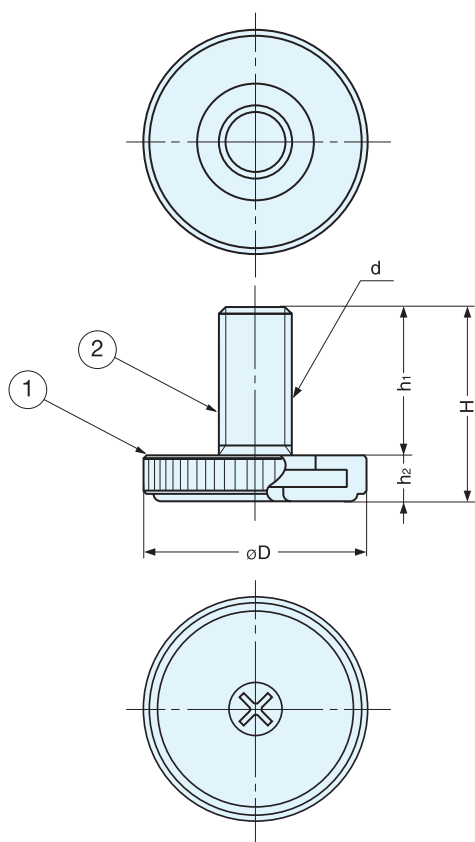
TG-40



TG-30WT



TG-20



Installation

No.	Part Name	Material	Finish
①	Base	Polyamide	Dark Grey/White
②	Bolt	Steel	Clear Zinc Chromate

Item No.		D	H	h ₁	h ₂	d	Load Capacity (kg)	Weight (g)	Box (pcs)	Carton (pcs)
Dark Grey	White									
TG-20	TG-20WT	20 (25/32")	21 (53/64")	15	6	M 8 x 1.25	100 (220 lbs)	11	120	720
TG-30	TG-30WT	30 (1-3/16")	26 (1-1/32")	20	6	M 10 x 1.5	150 (330 lbs)	25	100	600
TG-40	TG-40WT	40 (1-37/64")	26 (1-1/32")	20	6	M 10 x 1.5	180 (396 lbs)	36	60	360