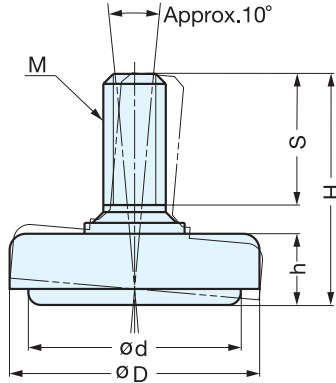


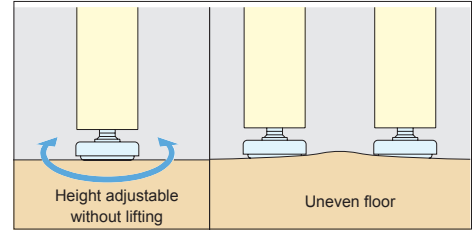
LEVELING GLIDE (W/RUBBER PAD)

LOAD CAPACITY
40-60 kg
88-132 lbs

MKR



- Leveling glide with elastomer base to prevent skidding.
- Double structure of cover/bolt and base allow easy height adjustment without lifting the leg.
- Swivels approximately 10° to compensate for uneven floors.
- Includes slide base KD-555-28(P.667) at no charge.



Part Name	Material	Finish
Body	Steel	Chrome
Base	Elastomer	Black



Item No.	M	D	d	H	h	S	Load Capacity (kg)	Weight (g)	Box (pcs)	Carton (pcs)
MKR-32	W3/8-16	32 (1-17/64")	27	36.0 (1-27/64")	11.0	21	40 (88 lbs)	41	80	480
MKR-40	W3/8-16	40 (1-37/64")	34	37.0 (1-29/64")	11.4	21	60 (132 lbs)	60	50	300
MKR-50	W3/8-16	50 (1-31/32")	44	37.5 (1-15/32")	11.5	21	60 (132 lbs)	87	20	120

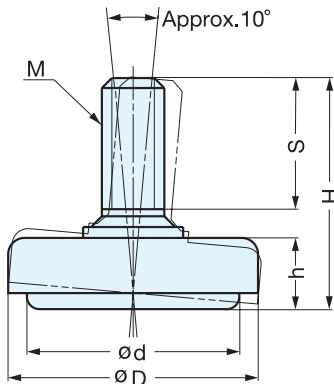
STAINLESS STEEL LEVELING GLIDE (W/RUBBER PAD)

NSF
COMPONENT

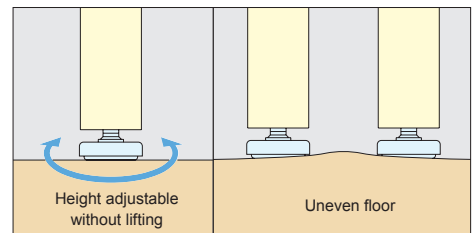
STAINLESS 304 STEEL

LOAD CAPACITY
40-100 kg
88-220 lbs

MKRS



- Leveling glide with elastomer base to prevent skidding.
- Double structure of cover/bolt and base allow easy height adjustment without lifting the leg.
- Swivels approximately 10° to compensate for uneven floors.
- 304 stainless steel construction is ideal for humid environments or application where corrosion is an issue.



Part Name	Material	Finish
Body	304 Stainless Steel	Satin
Base	Elastomer	Black

*** Only Item No. MKRS-50N3 is not RoHS compliant.



Item No.	M	D	d	H	h	S	Load Capacity (kg)	Weight (g)	Box (pcs)	Carton (pcs)
MKRS-32N3	W3/8-16	32 (1-17/64")	27	36.0 (1-27/64")	11.0	21	40 (88 lbs)	50	60	480
MKRS-40N3	W3/8-16	40 (1-37/64")	34	37.0 (1-29/64")	11.4	21	80 (176 lbs)	70	40	320
MKRS-50N3	W3/8-16	50 (1-31/32")	44	37.5 (1-15/32")	11.5	21	100 (220 lbs)	90	30	240
MKRS-60M12	M12x1.75	60 (2-23/64")	54	51.5 (2-1/32")	11.5	35	100 (220 lbs)	150	15	120
MKRS-70M14	M14x2	70 (2-3/4")	64	51.5 (2-1/32")	11.5	35	100 (220 lbs)	200	15	120