

# CASTER WITH LEVELING GLIDE



**LOAD CAPACITY**  
255 kg  
561 lbs

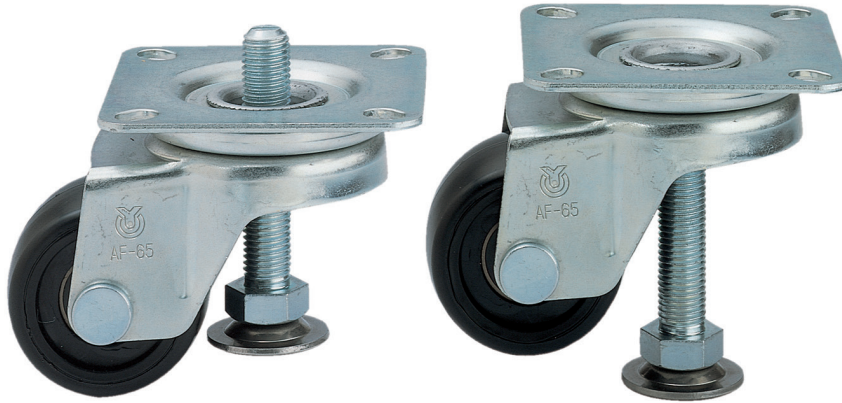


**AF-50, 65**

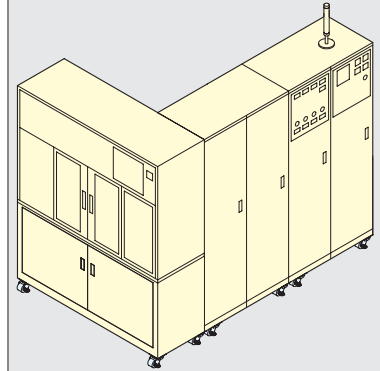
CASTERS & LEVELING GLIDES

CASTERS WITH LEVELING GLIDES

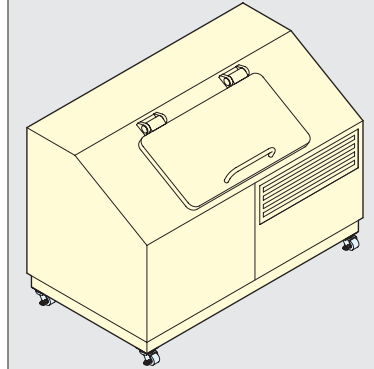
- Heavy duty, low profile caster with built-in leveling glide.
- Allows solid support by leveler once equipment is in place.
- Simplifies mounting as leveler is integrated with caster.



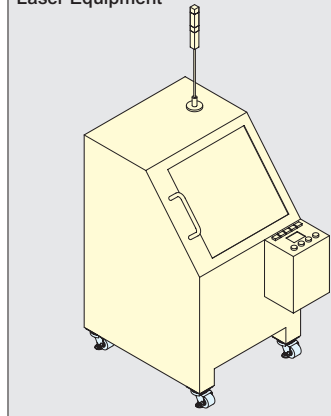
Semiconductor Equipment



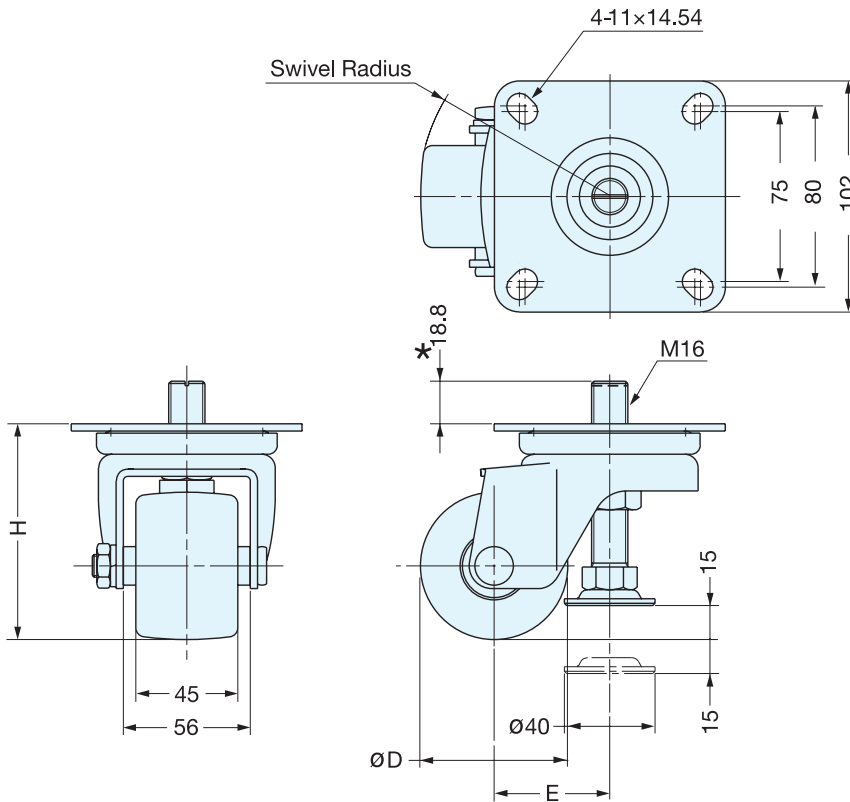
Garbage Container



Laser Equipment



Installation



\*Round cut out or bore is required for bolt of leveler.

Part Name	Material	Finish
Body	Steel	Chrome
Wheel	Nylon	Black

Item No.	D	H	E	Swivel Radius	Load Capacity (kg)	Weight (g)	Box (pcs)	Carton (pcs)
AF-50	50	74	46	73	255 ( 561 lbs )	1205	18	180
AF-65	65	95	51	85	255 ( 561 lbs )	1335	12	120