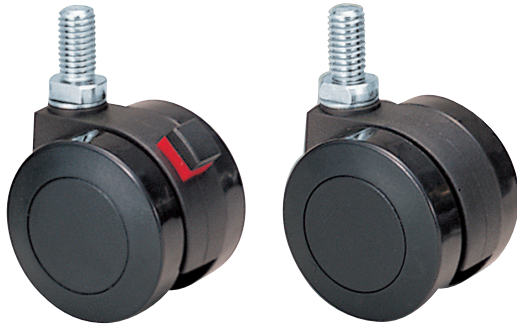


## TWIN WHEEL CASTER (THREADED BOLT TYPE)



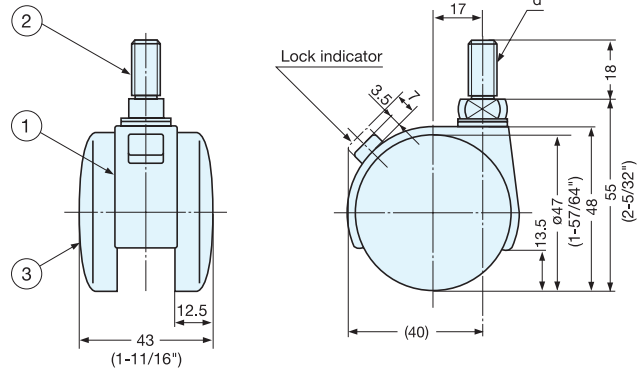
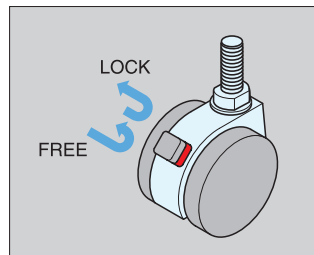
## FP-45-NS, N



FP-45-N  
(w/ Brake)

FP-45-NS  
(w/o Brake)

• Caster with high quality polyamide body. Excellent durability, chemical/weather/wear resistance.



Item No.	d	Load Capacity (kg)	Weight (g)	Box (pcs)	Carton (pcs)	No.	Part Name	Material	Finish
FP-45-NS	W3/8-16UNC	40 ( 88 lbs )	84	4	100	①	Body	Polyamide	Black
FP-45-N	W3/8-16UNC	40 ( 88 lbs )	79			②	Threaded Bolt	Steel	Yellow Zinc Chromate
						③	Wheel	Polyamide	Black

## TWIN WHEEL CASTER (PLATE TYPE)



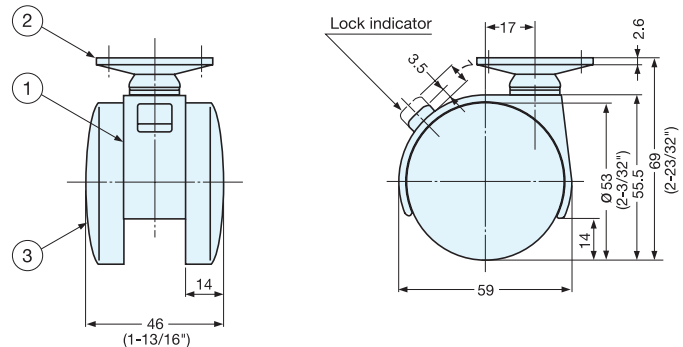
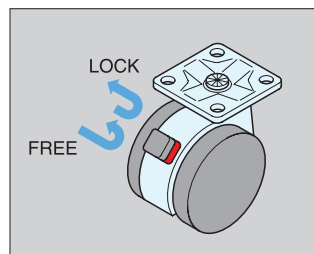
## FP-55-PS, P



FP-55-P  
(w/ Brake)

FP-55-PS  
(w/o Brake)

• Caster with high quality polyamide body. Excellent durability, chemical/weather/wear resistance.



Item No.	Load Capacity (kg)	Weight (g)	Box (pcs)	Carton (pcs)	No.	Part Name	Material	Finish
FP-55-PS	50 (110 lbs )	133	4	72	①	Body	Polyamide	Black
FP-55-P	50 (110 lbs )	128			②	Mounting Plate	Steel	Yellow Zinc Chromate
					③	Wheel	Polyamide	Black