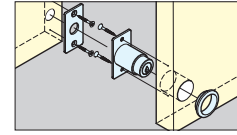
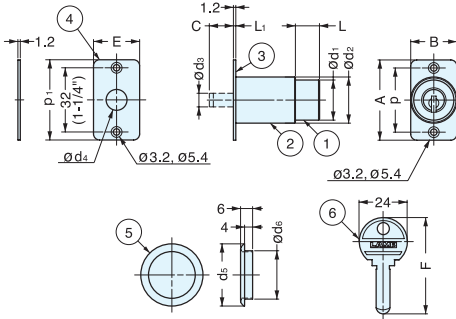
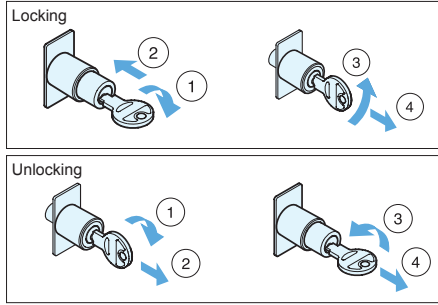


PUSH LOCK



2300, 2400



Installation

- Push lock for bypass sliding doors.
- Back-surface mount lock, counterplate is mounted on the front face of the back door.
- Locking: Turn key 90° to the right, push in, turn key 90° to the left, and remove.
- Unlocking: Turn key 90° to the right and lock will automatically disengage and turn the key 90° back, and remove.
- High-security Million Lock dimple key; one million key changes available.
- Please specify keyed alike or differently when ordering. (2,520 key changes per master key.)
- Master key system available by special order at a surcharge.

No.	Part Name	Material	Finish
①	Body	Brass	Chrome
②	Cylinder Housing	Zinc Alloy	
③	Counterplate	304 Stainless Steel	Plain
④	Mounting Plate		
⑤	Ring	Brass	Chrome
⑥	Key		Nickel

Item No.	Door Thickness (mm)	A	B	C	D	E	F	L ₁	L ₂	d ₁	d ₂	d ₃	d ₄	d ₅	d ₆	P	P ₁	Weight(g)	Box (pcs)	Carton (pcs)
2400M-20	20 (13/16")	35 (1-3/8")	20 (25/32")	10	35 (1-3/8")	20	46	22 (7/8")	10	16	20	7	7.5	26	21.1	27	27	65	12	60
2400M-25	25 (1")							27 (1-1/16")										70		
2300M	30 (1-3/16")	40 (1-9/16")	24 (15/16")	12	40 (1-9/16")	24	48	30 (1-3/16")	12	20	24	10	10.4	32	25.1	32	32	100		

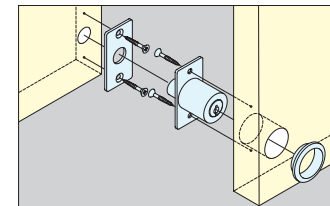
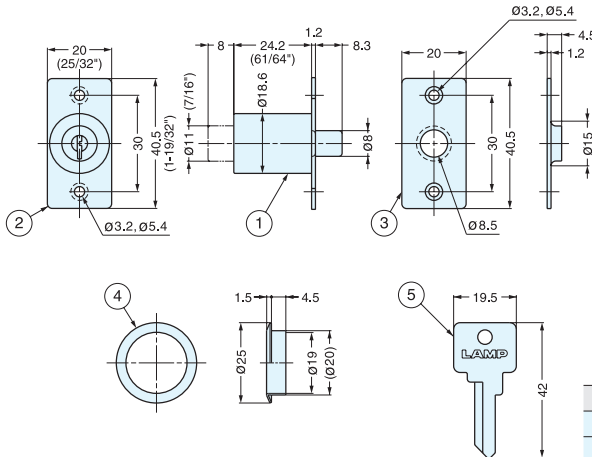
PUSH LOCK



2160M



- Push lock for 1" thick bypass sliding doors.
- Back-surface mount lock, counterplate is mounted on the front face of the back door.
- Unlock by inserting the key and gently turning to the right and ejecting the cylinder.
- Lock by inserting the key and push the cylinder in.
- Up to 24 key changes available; master key option not available.
- Please specify keyed alike or differently when ordering.



Installation

No.	Part Name	Material	Finish
①	Cylinder Housing	Zinc Alloy	Nickel
②	Mounting Plate	Brass	
③	Counterplate		
④	Ring		
⑤	Key		

Item No.	Door Thickness	Weight (g)	Box (pcs)	Carton (pcs)
2160M	24 (15/16")	50	24	240