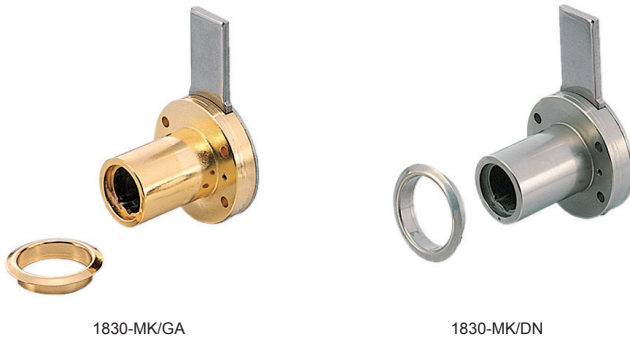


# DRAWER LOCK (HOUSING)



## 1830-MK

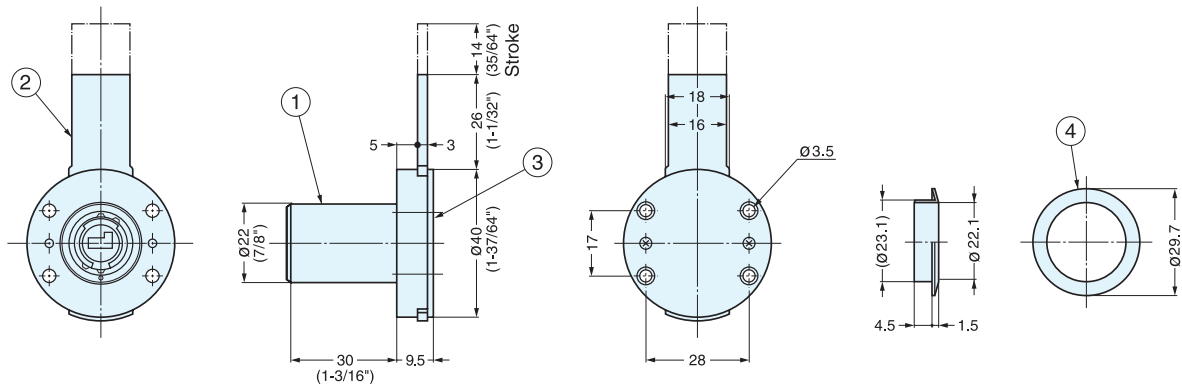
LOCKS



- Interchangeable Cylinder Lock
- Cylinder can be changed by using change key MD-K1. Easy to replace cylinder in case key is lost.
- Up to 7,800 key changes available. (750 key changes per master key.)
- Cylinder housing Diameter: 22 mm (7/8")
- \* Cylinder housing only. Interchangeable Cylinder MD-N1 must be ordered for a complete assembly.



Master Key, Interchangeable Cylinder & Key are sold separately. See P.622



DRAWER LOCK

No.	Part Name	Material	Finish
①	Cylinder Housing	Zinc Alloy	Satin Nickel (DN)/Gold (GA)
②	Dead Bolt	304 Stainless Steel	Polished
③	Cover		
④	Ring	Brass	Satin Nickel (DN)/Gold (GA)

Item No.	Door Thickness	Finish	Weight (g)	Box (pcs)	Carton (pcs)
1830-MK/GA	30 (1-3/16")	Gold (GA)/Clear	185	12	60
1830-MK/DN	30 (1-3/16")	Satin Nickel (DN)			