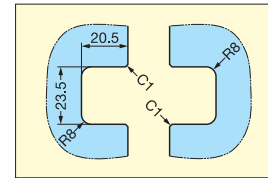
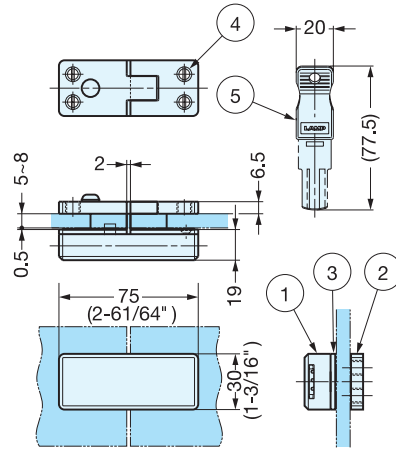


GLASS DOOR LOCK FOR SWINGING DOUBLE DOORS

XL-GC01



Cut Out Dimension

- Dual locking mechanism: locks and unlocks both doors at once by inserting the key.
- Non-handed. Key hole located on the right side for a clean appearance.
- Key acts as a knob when unlocked.
- Includes 2 keys.
- Use with XL-GC Series glass showcase hardware (sold separately, P.271).

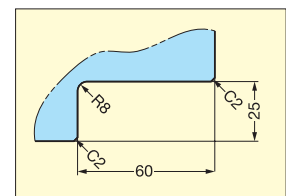
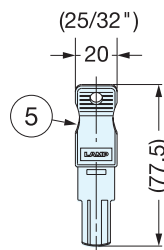
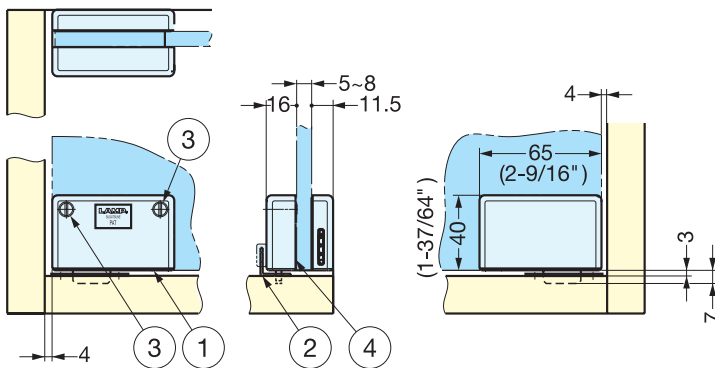
Item No.	Glass Thickness (mm)	Key Changes	Key (pcs)	Weight (g)	Box (pcs)	Carton (pcs)
XL-GC01-C	5~8 (3/16"~5/16")	24	2	406	1	24

No.	Part Name	Material	Finish/Color
①	Body	Zinc Alloy	Chrome
②	Counterplate		
③	Spacer	Synthetic Rubber	Black
④	Screws	304 Stainless Steel	Plain
⑤	Key	Brass/ABS	Nickel/Black

GLASS DOOR LOCK FOR INSET SWINGING DOORS



XL-GC02



Cut Out Dimension

- Locks are handed left or right. Key hole located on the side for a clean appearance.
- Lock cam swings downwards into frame.
- Includes 2 keys.
- Use with Inset Glass Pivot Hinge XL-GC04 (sold separately, P.272).
- Use with XL-GL Series glass showcase hardware (sold separately, P.271).

Item No.	Type	Glass Thickness (mm)	Key Changes	Key (pcs)	Weight (g)	Box (pcs)	Carton (pcs)
XL-GC02-R-C	Right	5~8 (3/16"~5/16")	24	2	415	1	24
XL-GC02-L-C	Left						

No.	Part Name	Material	Finish/Color
①	Body	Zinc Alloy	Chrome
②	Counterplate	304 Stainless Steel Chloroprene Rubber	Polished/Black
③	Screws	304 Stainless Steel	Plain
④	Spacer	Synthetic Rubber	Black
⑤	Key	Brass/ABS	Nickel/Black