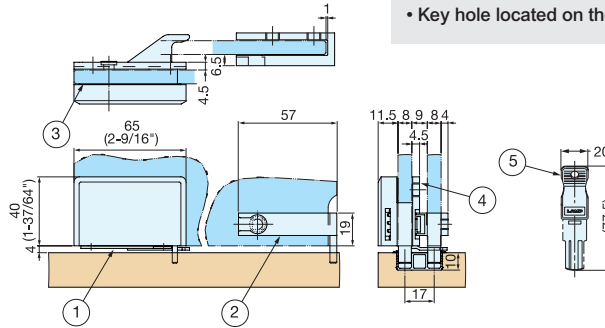
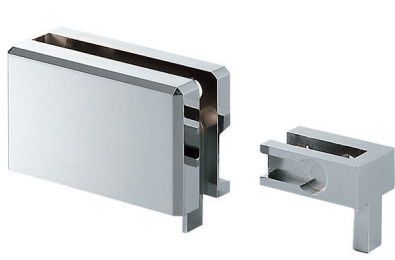
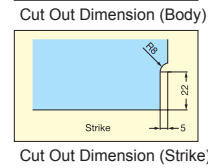
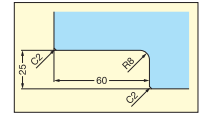


GLASS LOCK (FOR SLIDING DOOR)

XL-GC03



• Key hole located on the side for clean appearance.

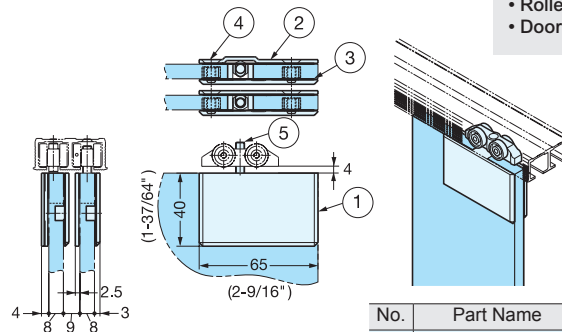


No.	Part Name	Material	Finish/Color
①	Body	Zinc Alloy	Chrome
②	Strike		
③	Spacer	Synthetic Rubber	Black
④	Screws	304 Stainless Steel	Plain
⑤	Key	Brass	Nickel

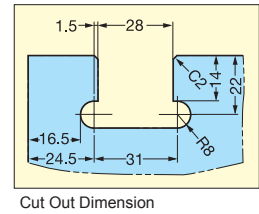
Item No.	Glass Thickness (mm)	Key Changes	Key (pcs)	Weight (g)	Box (pcs)	Carton (pcs)
XL-GC03-C	8 (5/16")	24	2	351	1	24

UPPER BRACKET (FOR SLIDING DOOR)

XL-GC06



• 4 pcs per set
 • Roller (53-3061-081) sold separately.
 • Door Size: Max. W500 x H1200 x t8mm

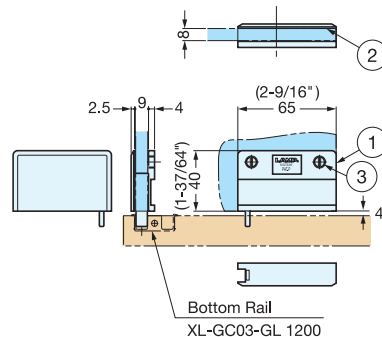
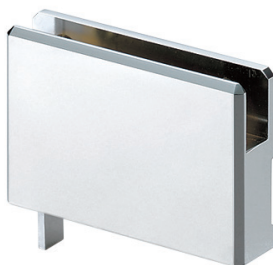


No.	Part Name	Material	Finish/Color
①	Body	Zinc Alloy	Chrome
②	Backplate		
③	Spacer	Synthetic Rubber	Clear
④	Screws	304 Stainless Steel	Plain
⑤	Bolt	Steel	Clear Zinc Chromate

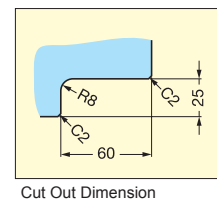
Item No.	Glass Thickness (mm)	Load Capacity (kg)	Weight (g)	Box (sets)	Carton (sets)
XL-GC06-C	8 (5/16")	12 (26.5 lbs) / Door	400	1	24

BOTTOM GUIDE BRACKET (FOR SLIDING DOOR)

XL-GC08



• 1pair (Left / Right) per set



No.	Part Name	Material	Finish/Color
①	Body	Zinc Alloy	Chrome
②	Spacer	Synthetic Rubber	Black
③	Screws	304 Stainless Steel	Plain

Item No.	Glass Thickness (mm)	Weight (g)	Box (pairs)	Carton (pairs)
XL-GC08-C	8 (5/16")	360	1	24