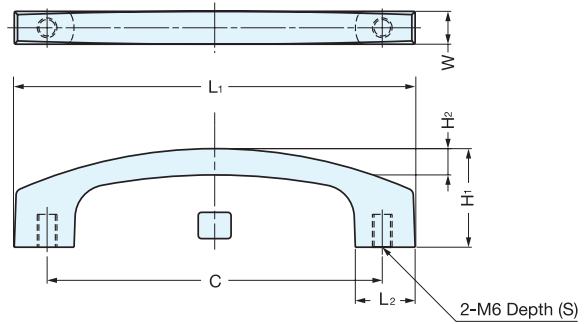


HANDLE



SAZ

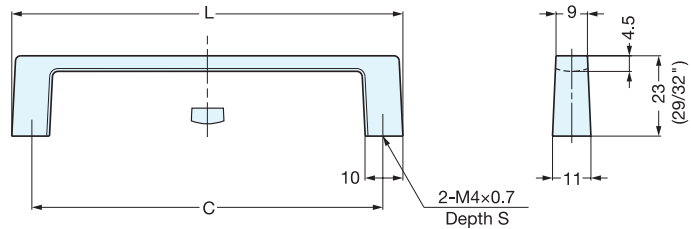


| Item No. | L ₁ | L ₂ | C | S | W | H ₁ | H ₂ | Weight (g) | Box (pcs) | Carton (pcs) | Material | Finish |
|----------|----------------|----------------|---------------|---|----|----------------|----------------|------------|-----------|--------------|------------|--------|
| SAZ-121 | 121 | 17 | 102 (4-1/64") | 9 | 10 | 27.7 (1-3/32") | 5.2 | 85 | 40 | 400 | Zinc Alloy | Chrome |

HANDLE



936 SERIES

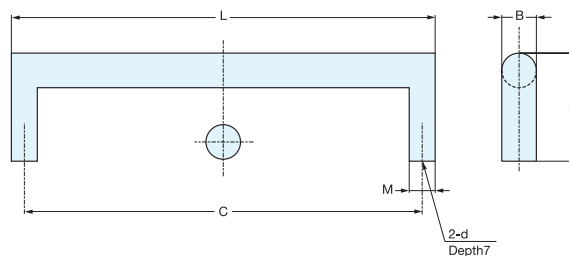


| Item No. | L | C | S | Weight (g) | Box (pcs) | Carton (pcs) | Screw | Material | Finish |
|------------|-------|------------------|----|------------|-----------|--------------|---------|------------|--------------------|
| 936-55-SCR | 66.5 | 55.0 (2-11/64") | 8 | 40 | 50 | 200 | M4 x 25 | Zinc Alloy | Satin Chrome (SCR) |
| 936-100-DC | 112.0 | 100.5 (3-61/64") | 10 | 52 | | | M4 x 28 | | Dull Chrome (DC) |

HANDLE



KAKU-A



| Item No. | L | H | B | C | M | D | Weight (g) | Box (pcs) | Carton (pcs) | Material | Finish |
|-----------|---------------|----|---|---------------|----|----|------------|-----------|--------------|----------|-------------|
| KAKU-A161 | 84 (3-5/16") | 24 | 7 | 78 (3-1/16") | 7 | M3 | 46 | 35 | 420 | Brass | Dull Chrome |
| KAKU-A160 | 99 (3-15/16") | 25 | 8 | 92 (3-5/8") | 8 | M4 | 58 | 30 | 360 | | |
| KAKU-A159 | 124 (4-7/8") | 29 | 9 | 113 (4-7/16") | 11 | M4 | 103 | 20 | 240 | | |