

# SLIDING DOOR ROLLER

STAINLESS  
304  
STEEL

# FMS, FDS, FES

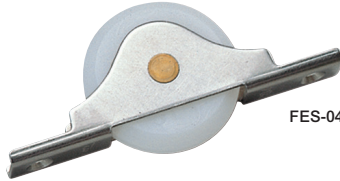
- Smooth and quiet movement with plastic rollers.
- FES and FMS are equipped with ball bearings providing easy operating even with heavy load.



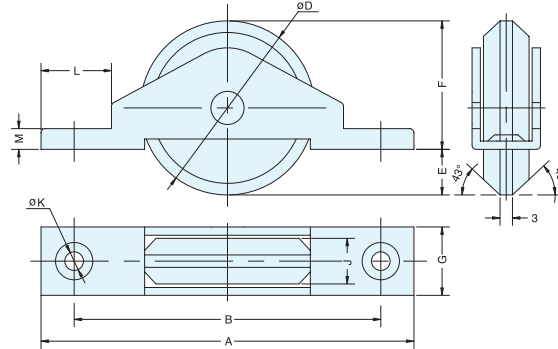
FMS-0509



FDS-0339



FES-0429



| Part Name    | Series        | Material            | Finish |
|--------------|---------------|---------------------|--------|
| Bracket, Pin | FDS, FES, FMS | 304 Stainless Steel | Plain  |
| Wheel        | FDS, FES      | Polyacetal          | White  |
|              | FMS           | MC Nylon            | Blue   |

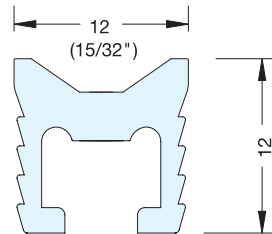
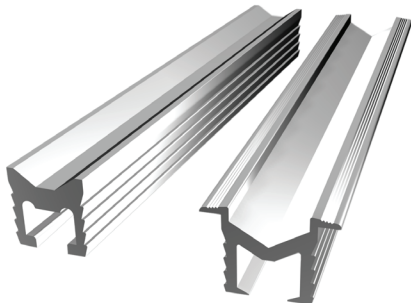
| Item No. | A              | B  | D  | E   | F    | G  | J  | K | L  | M   | Load Capacity (kg) /per 2pcs | Weight (g) | Box (pcs) | Carton (pcs) |
|----------|----------------|----|----|-----|------|----|----|---|----|-----|------------------------------|------------|-----------|--------------|
| FDS-0259 | 60 (2-23/64")  | 50 | 25 | 5.0 | 20.0 | 11 | 7  | 3 | 10 | 1.2 | 15 ( 33 lbs )                | 15         | 20        | 200          |
| FDS-0339 | 74 (2-29/32")  | 63 | 33 | 5.5 | 27.5 | 13 | 8  | 4 | 12 | 1.5 | 25 ( 55 lbs )                | 25         |           |              |
| FES-0339 | 68 (2-43/64")  | 57 | 33 | 7.0 | 26.0 | 13 | 9  | 4 | 14 | 5.0 | 50 ( 110 lbs )               | 35         | 12        | 120          |
| FES-0429 | 92 ( 3-5/8" )  | 76 | 42 | 6.0 | 36.0 | 14 | 9  | 4 | 18 | 5.0 | 70 ( 154 lbs )               | 60         | 4         | 40           |
| FMS-0509 | 110 (4-21/64") | 85 | 50 | 8.0 | 42.0 | 17 | 11 | 5 | 19 | 5.0 | 100 ( 220 lbs )              | 95         |           |              |

# "V" RAIL FOR SLIDING DOOR

ALUMINUM

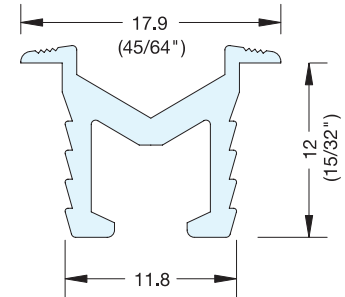
AV

- Bottom rail for FMS, FDS, FES Rollers.



Item No.: AVF-12S/1820

Applicable Rollers: FDS-0259, FDS-0339  
FES-0339, FES-0429  
FMS-0509



Item No.: AVED-12S/1820

Applicable Rollers: FDS-0259, FDS-0339  
FES-0339, FES-0429

| Item No.      | Length         | Weight (g) | Box (pcs) | Carton (pcs) | Material | Finish   |
|---------------|----------------|------------|-----------|--------------|----------|----------|
| AVF-12S/1820  | 1820 (71-5/8") | 256        | 1         | 10           | Aluminum | Anodized |
| AVED-12S/1820 |                | 309        |           |              |          |          |