

# SOFT-CLOSE SYNCHRONIZED SLIDING DOOR HARDWARE SDR-RA80SYN



Type	SDR-RA80SYN	
	Synchronized Bi-Parting	
Roller	Top Surface Mount	
Track Mounting	Ceiling	Wall w/Continuous Bracket
Door Weight	Max. 176 lbs (80 kg)	
Door Thickness	Min. 1-1/16" (27 mm)	
Door Width	40 kg door (88 lbs)	80 kg door (176 lbs)
	Min: 28-1/8" (715 mm) Max: 59-1/16" (1500 mm)	Min: 36" (915 mm) Max: 59-1/16" (1500 mm)

- Successfully passed 100,000 cycles test (private).
- 176 lbs (80 kg)
- Ceiling and Wall/Barn Door Mount
- Surface Mounted Door Brackets
- Double Rollers with Ball Bearings
- Quiet Precision Movement
- Soft Close Feature
- Vertical Adjustment  $\pm 1/16"$  (1 mm)

How to order

1. Select track and track length
- 1A. Select any optional parts for track
2. Choose a hardware set

## Ordering Information

1. Track Options

Track Type	Length	Item No.	Description
Standard Aluminum Track	78-3/4" (2000 mm)	SDR-RA80-2000	
	118-1/8" (3000 mm)	SDR-RA80-3000	

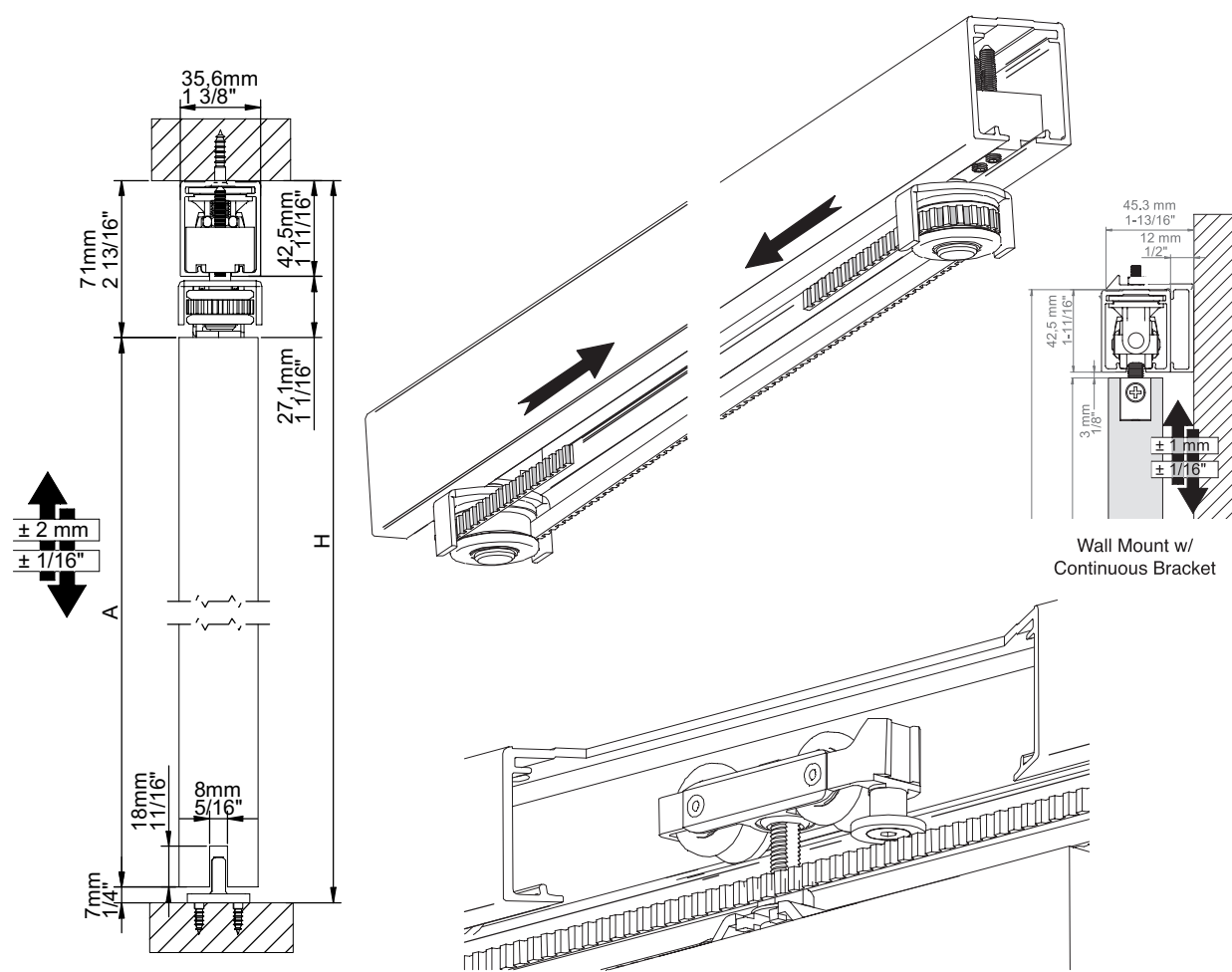
1A Optional Parts for Track

SDR-RA80WL-2000 SDR-RA80WL-3000 Wall Mount Bracket	SDR-RA80-8083 End Cover for Track	SDR-RA80-8085 End Cover for Track & Wall Mount Bracket

2. Hardware Set

Load Rating (Per Door)	Item No.	Set Details
up to 88 lbs (40 kg)	SDR-RA80SYN-40	 Roller & Surface Door Mount Synchronized Set
up to 176 lbs (80 kg)	SDR-RA80SYN-80	 Roller & Surface Door Mount Synchronized Set

## TRACK MOUNTING OPTIONS



This synchronous system allows 2 doors to open simultaneously. Can hold doors up to 88 lbs or 176 lbs., depending on the door width.

Synchronized system features an anti jump feature attached to the rollers.

