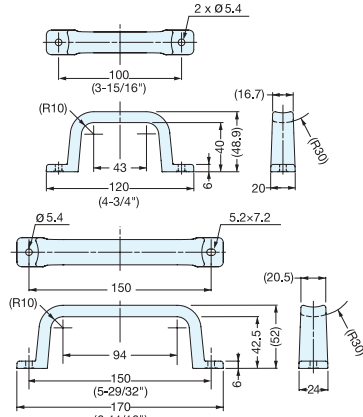


HANDLE

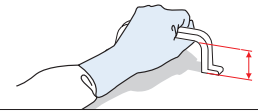


MH-P



- Made with PVC material:
 - Ideal for semiconductor, manufacturing machinery and transparent applications.
 - Weather proof, chemical proof
- High profile allows for handle to be easily grasped with gloved hands.
- Environmentally friendly PVC, lead-free.
- Compliant with SEMI S8-0308 guideline.
- Requires two 3/16" (5 mm) diameter screws for installation. Screws not included.

High profile makes it easier to use with gloves



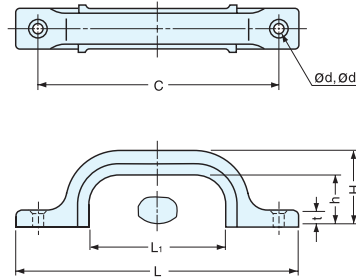
Item No.	Weight (g)	Box (pcs)	Carton
MH-P120	34	64	640
MH-P170	56	48	480

Material	Finish
Polyvinyl Chloride (PVC)	Clear

HANDLE



US



- Rubber grip allows for an easy and comfortable grip.
- Lightweight design.

Material	Finish
304 Stainless Steel	Mirror (M) Satin (S)

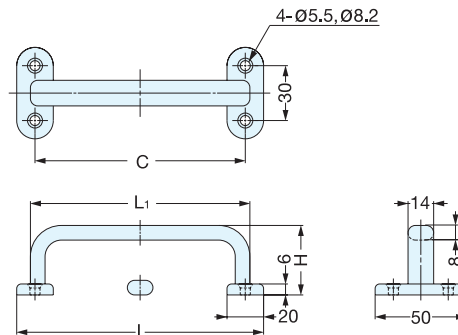
* Grip - Black/Synthetic Rubber

Item No.	L	L1	C	B	H	h	t	d	d1	Weight (g)	Box (pcs)	Carton (pcs)	Screw	
US-70/M	US-70/S	70	20	54 (2-1/8")	17	28.0 (1-7/64")	21	5.5	3.3	6.6	20	20	200	3.1 × 16
US-120/M	US-120/S	120	57	102 (4-1/64")	19	32.0 (1-17/64")		6.5	3.8	7.6	45			3.5 × 20
US-160/M	US-160/S	160	88	140 (5-33/64")	22	37.5 (1-15/32")	23	7.5	4.1	8.1	70	10	100	4.1 × 25

HANDLE



EC-H



Material	Finish
303 Stainless Steel	Mirror

Item No.	L	L1	C	H	Weight (g)	Box (pcs)	Carton (pcs)	Screw
EC-H-135	135	120	115 (4-17/32")	40 (1-37/64")	191	5	50	3.1 × 16
EC-H-165	165	150	145 (5-45/64")	42 (1-21/32")	216	3	30	3.5 × 20