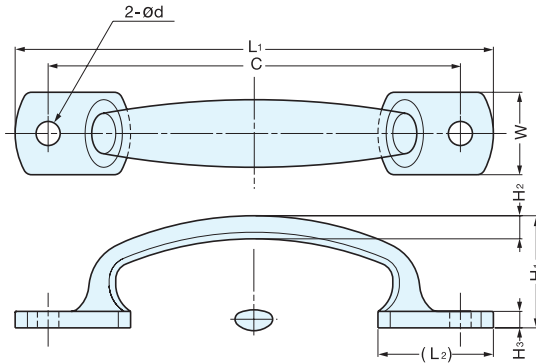


TRANSOM HANDLE



3LC



Material	Finish
316 Stainless Steel	Mirror

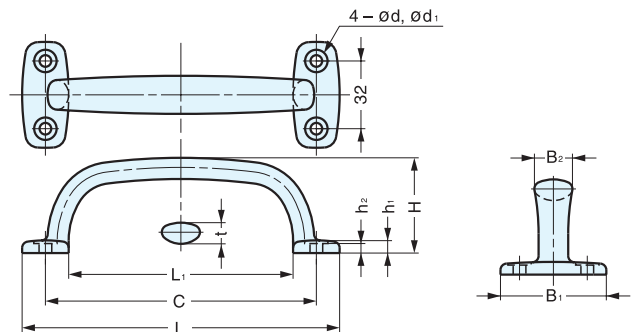
Item No.	L ₁	L ₂	W	H ₁	H ₂	H ₃	C	d	Weight (g)	Box (pcs)	Carton (pcs)
3LC-120	120	29	20	30 (1-3/16")	6	5	105 (4-9/64")	5.5	90	100	500
3LC-130	130	30	22	33 (1-19/64")	7	6	115 (4-17/32")		120		
3LC-145	145	35	25	34 (1-11/32")					125 (4-59/64")	6.5	155

TRANSOM HANDLE



4LC

• Ideal for harsh and high corrosive environments.



Material	Finish
316 Stainless Steel	Mirror

Item No.	L	L ₁	C	B ₁	B ₂	H	h ₁	h ₂	t	d	d ₁	Weight (g)	Box (pcs)	Carton (pcs)	Screw
4LC-82	82	46	64 (2-33/64")	48	16	36.5 (1-7/16")	6.0	4.5	8	5	9.5	110	8	96	4 × 20
4LC-114	114	78	96 (3-25/32")			40.0 (1-37/64")						148	6	72	
4LC-150	150	106	128 (5-1/32")	50	18	45.0 (1-49/64")	6.5	5.0	10	6	11.0	210	3	36	5 × 32
4LC-180	180	140	160 (6-19/64")			48.0 (1-57/64")						270	2	24	