

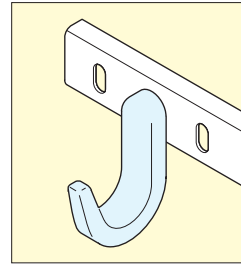
SHELF HOOK



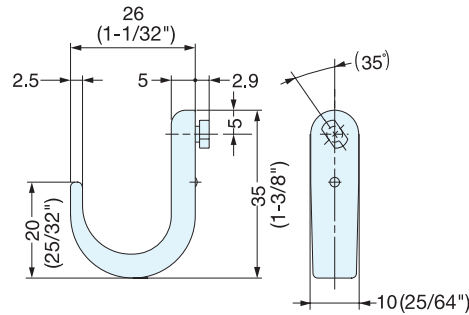
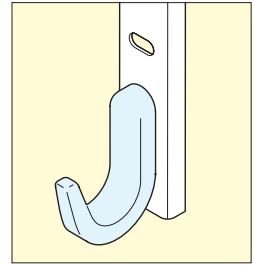
SPB-35



- Hook for SP-1820.
- Can be used with a vertical or horizontal standard.



Installation



Item No.	Load Capacity (kg)	Weight (g)	Box (pcs)	Carton (pcs)	Material	Finish
SPB-35	5 (11 lbs)/pc	15.5	150	450	Zinc Alloy	Nickel

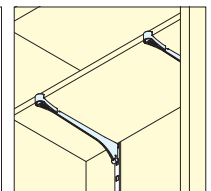
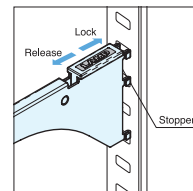
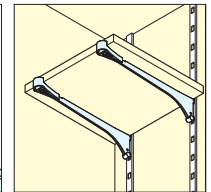
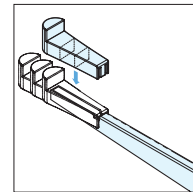
BRACKET



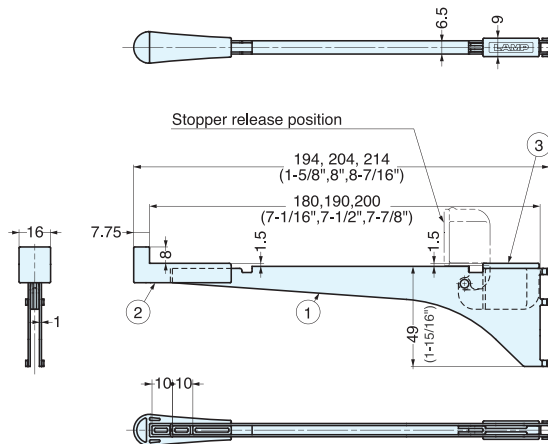
SPB-200



- For SP and SPS series shelf standards.
- Use 2 or 3 pcs for installing 1 shelf.
- With holder to simply fix shelf.
- Able to adjust depth in 3 different positions.
- With drop off prevention function.
- Can be used with a glass shelf.
- Maximum size of shelf board is With 900 x Depth 200.



Installation



No.	Part Name	Material	Finish/Color
①	Main Body	304 Stainless Steel	Satin
②	Shelf Retainer Clip	Polypropylene	White
③	Base Hook		

Item No.	Load Capacity (kg)/2pcs	Load Capacity (kg)/3pcs	Weight (g)	Box (pcs)	Carton (pcs)
SPB-200	10 (22 lbs)	15 (33 lbs)	65	50	200