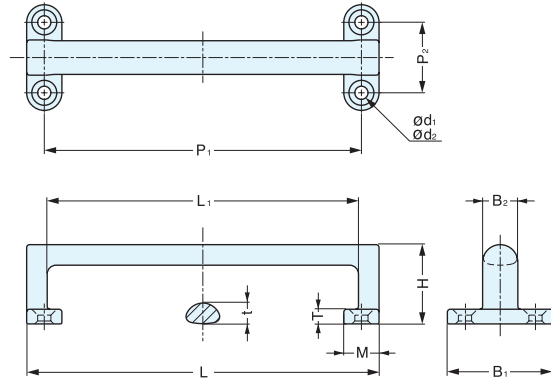
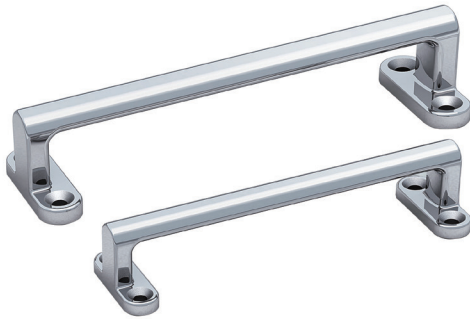


HANDLE



FT-R

- A rounded handle for a comfortable grip.
- Wide grip.



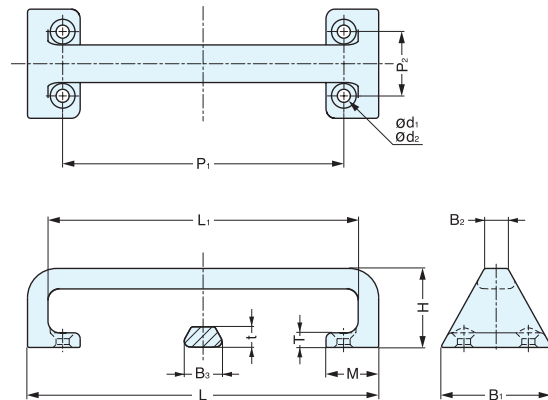
Item No.	L	L ₁	B ₁	B ₂	H	T	t	M	P ₁	P ₂	d ₁	d ₂	Weight (g)	Material	Finish
FT-R-120	120 (4-23/32")	106	36 (15/32")	12	27	5.5	7	12	108 (4-1/4")	24	4.5	8.5	140	304 Stainless Steel	Mirror
FT-R-160	160 (6-19/64")	142	48 (1-57/64")	16	36	7	9	16	144 (5-43/64")	32	5.5	10.5	285	304 Stainless Steel	Mirror

HANDLE



FT-T

- A shape with heavy feeling rounded inside allows for easy gripping.
- Wide grip.



Item No.	L	L ₁	B ₁	B ₂	B ₃	H	T	t	M	P ₁	P ₂	d ₁	d ₂	Weight (g)	Material	Finish
FT-T-120	120 (4-23/32")	105	39.3	10	15	28.5	6	7.0	19.0	96 (3-25/32")	24	4.5	8.5	225	316 Stainless Steel	Mirror
FT-T-170	170 (6-11/16")	150	53.3	12	19	38.0	7.5	10.0	25.5	135 (5-5/16")	32	5.5	10.5	500	316 Stainless Steel	Mirror
FT-T-220	220 (8-21/32")	200	69.3	15	24.3	49.5	9.3	13.0	32.5	176 (6-59/64")	41	6.5	12.5	1000	316 Stainless Steel	Mirror