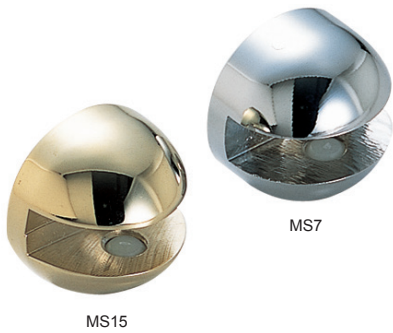




GLASS SHELF SUPPORT



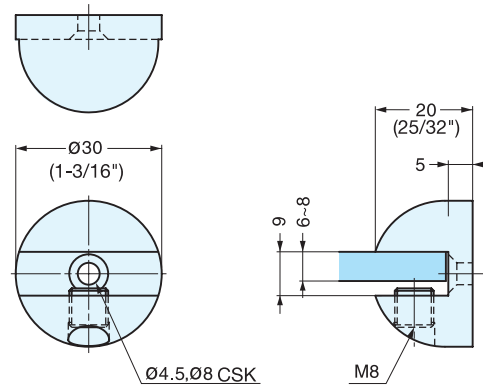
2876



MS15

MS7

- Load capacity (center of glass) 5 kg (11 lbs)/pair with shelf support distance max. 300 mm, glass depth max. 300 mm.
- Tempered Glass Recommended.



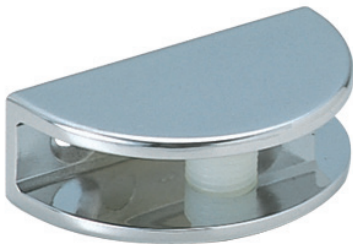
Item No.	Glass Thickness (mm)	Weight (g)	Box (pcs)	Carton (pcs)	Material	Finish
2876MS 7	6~8	61	20	200	Brass	Chrome (MS7)
2876MS15						Polished Brass (MS15)



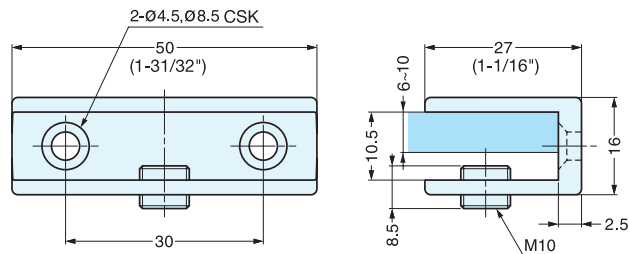
GLASS SHELF SUPPORT



2884



- Load capacity (center of glass) 5 kg (11 lbs)/pair with shelf support distance max. 300 mm, glass depth max. 300 mm.
- Tempered Glass Recommended.



Item No.	Glass Thickness (mm)	Weight (g)	Box (pcs)	Carton (pcs)	Material	Finish
2884ZN5	6~10	49	20	200	Zinc Alloy	Chrome (ZN5)
2884VA2					304 Stainless Steel	Satin (VA2)