

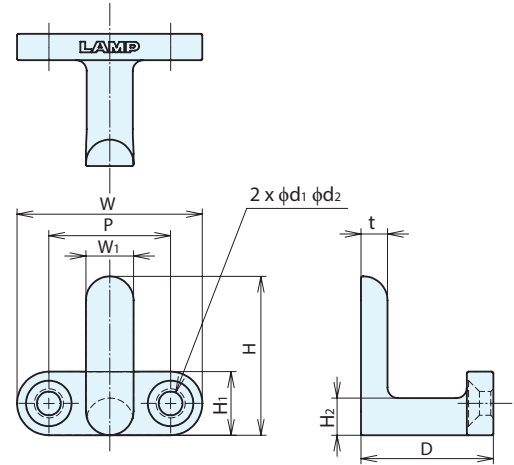
HOOK



HK-FH



- Decorative contemporary hook.
- Available in four finishes and two sizes.



Item No.	Material	Finish	D	d ₁	d ₂	H	H ₁	H ₂	P	t	W	W ₁	Load Capacity	Weight (g)	Box (pcs)	Carton (pcs)
HK-FH30-CR	Zinc Alloy	Chrome	1" (25 mm)	3/16" (4.5 mm)	5/16" (8.6 mm)	1-3/16" (30 mm)	1/2" (12 mm)	1/4" (7 mm)	15/16" (23 mm)	3/16" (5 mm)	1-5/16" (34 mm)	3/8" (9 mm)	22 lb (10 kg)	22	25	300
HK-FH30-BL		Black														
HK-FH30-DB		Copper														
HK-FH30-PB		Brass														
HK-FH50-CR	Zinc Alloy	Chrome	1-9/16" (39 mm)	3/16" (5.3 mm)	7/16" (10.6 mm)	1-3/4" (45 mm)	5/8" (16 mm)	3/8" (9.5 mm)	1-5/16" (34 mm)	1/4" (7 mm)	2" (50 mm)	1/2" (13 mm)	33 lb (15 kg)	65	15	200
HK-FH50-BL		Black														
HK-FH50-DB		Copper														
HK-FH50-PB		Brass														

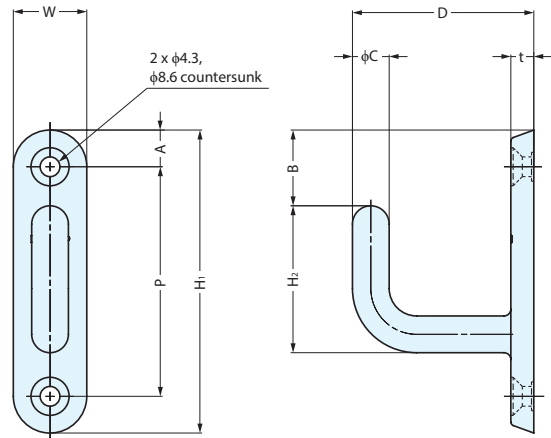
HOOK



HK-LB



- A stainless steel hook with a thick plate for a high-end look.
- Rounded hook tip to ensure safety.



Item No.	Material	Finish	W	H ₁	H ₂	P	A	B	C	D	t	Load Capacity (kgf)	Weight (g)
HK-LB50	316 Stainless Steel	Polished	5/8" (16 mm)	2-9/16" (65 mm)	1-1/4" (32 mm)	2" (50 mm)	5/16" (8 mm)	5/8" (16.5 mm)	5/16" (8 mm)	1-9/16" (39.5 mm)	3/16" (5 mm)	33.7 lbs (15.3 kgf)	46
HK-LB65			11/16" (18 mm)	3-3/8" (85 mm)	1-3/4" (44.5 mm)	2-9/16" (65 mm)	3/8" (9 mm)	13/16" (20 mm)	3/8" (9 mm)	1-15/16" (49 mm)	1/4" (6.5 mm)		81