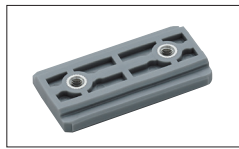


GUIDE BLOCK & RAIL



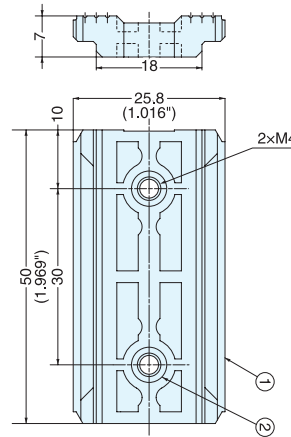
MRS30, MR-50C



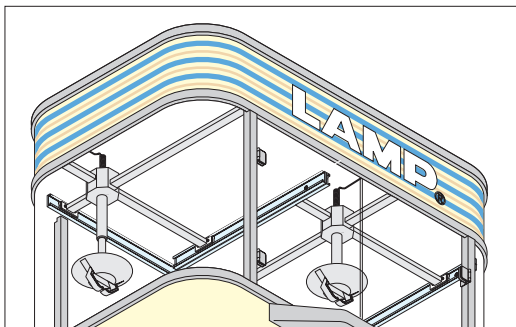
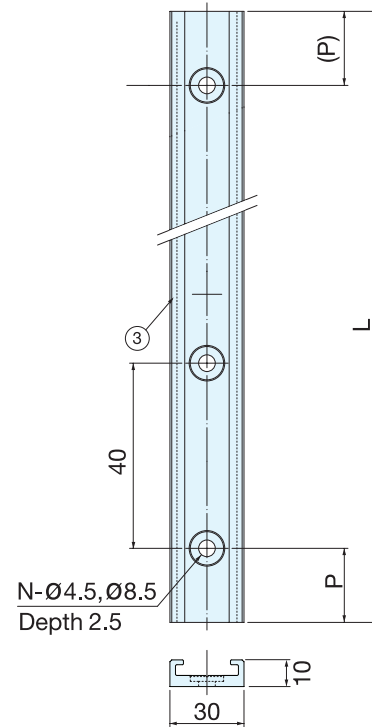
MR-50C



- Perfect for small stroke application.
- No lubricant (P415,416,417) needed.
- * Block and Rail sold separately.



MR-50C



Installation

■ Rail						25.4mm=1"
Item No.	L	P	N	Weight (g)	Box (pcs)	
MRS30-100	100 (3-15/16")	10	3	39	200	
MRS30-200	200 (7-7/8")	20	5	79	100	
MRS30-400	400 (15-3/4")		10	159	50	
MRS30-800	800 (31-1/2")		20	312	40	
MRS30-2000	2000 (78-3/4")		50	790	15	

*Both ends of rail are not anodized.

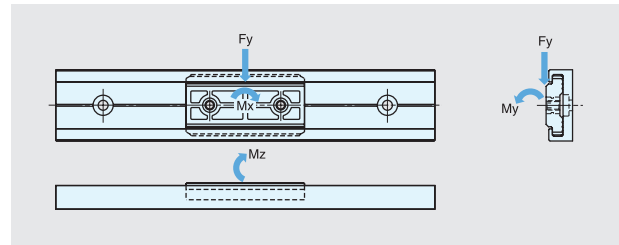
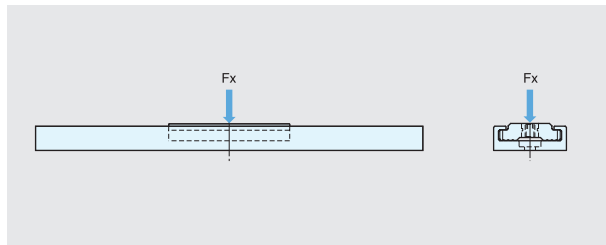
No.	Material	Finish
①	Polyethylene (UL 94HB)	Grey
②	304 Stainless Steel	Plain
③	Aluminum	Anodized

■ Block			
Item No.	Weight (g)	Box (pcs)	Carton (pcs)
MR-50C	7	50	1000

MRS 30, MR-50C LOAD RATING INFORMATION

Dynamic Friction Coefficient: 1

Maximum PV (Pressure (kgf-mm²) × Velocity (m/min.)) = 3.06



Horizontal Static Load Fx	26.0 kgf (57.2 lbs)
Vertical Static Load Fy	15.0 kgf (33.0 lbs)
Vertical Dynamic Load Mx	25.0 kgf-cm (21.6 lbs-in)
Horizontal Dynamic Load My	12.5 kgf-cm (10.8 lbs-in)
Horizontal Dynamic Load Mz	12.5 kgf-cm (10.8 lbs-in)

◆ Reduction Factor

Certain reduction needs to be applied depending on application or environment.
 Low speed/Low operation frequency = 70% to 100% of Load Rating
 Moderate speed/High operation frequency = 35% to 65% of Load Rating
 High operation frequency with Vibration & Shocks = 10% to 30% of Load Rating