

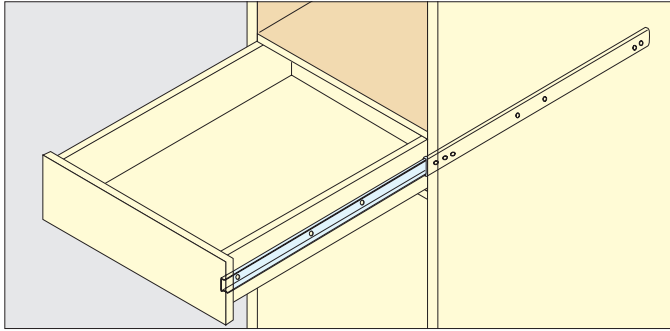
3/4 EXTENSION SLIDE



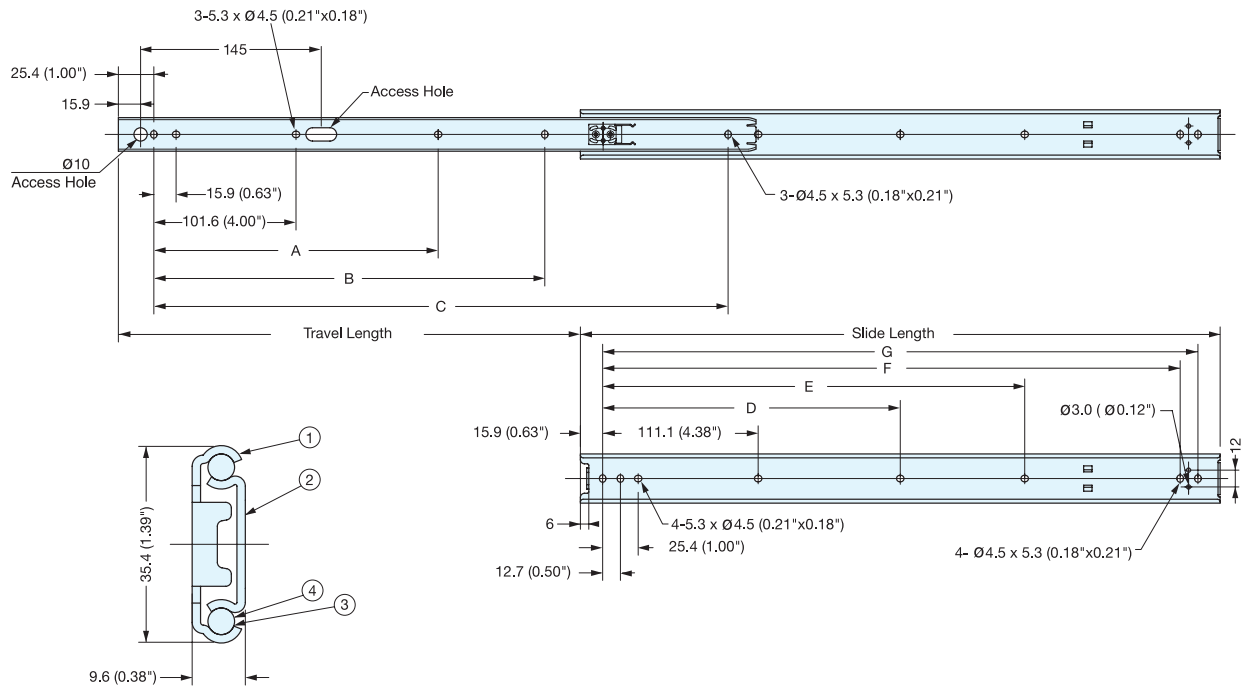
ESR-13

DRAWER SLIDES

STAINLESS STEEL SLIDES



- 3/4 extension.
- Positive stop.
- Positive catch.
- Non-handed.
- Sold by each.
- Mount with M4 or #8 Binding, Pan, or Truss head screws.



25.4 mm=1"

No.	Part	Material
①	Outer Rail	304 Stainless Steel
②	Inner Rail	
③	Retainer	
④	Balls	

Item No.	Slide Length	Travel Length	A	B	C	D	E	F	G	# of Holes		Load Rating (kg/pair)	Weight (g)	Box (pcs)
										Inner Rail	Outer Rail			
ESR-13-12	304.8 (12")	228.6 (9")	-	177.8	258.0	-	149.2	260.3	273.0	4	7	49 (107 lbs)	330	30
ESR-13-14	355.6 (14")	279.4 (11")	-	228.6	308.8	-	200.0	311.1	323.8	4	7	47 (103 lbs)	380	
ESR-13-16	406.4 (16")	304.8 (12")	-	254.0	359.6	-	250.8	361.9	374.6	4	7	43 (94 lbs)	420	
ESR-13-18	457.2 (18")	330.2 (13")	203.2	279.4	410.4	212.7	301.6	412.7	425.4	5	8	41 (90 lbs)	490	
ESR-13-20	508.0 (20")	381.0 (15")	228.6	330.2	461.2	238.1	352.4	463.5	476.2			37 (81 lbs)	540	
ESR-13-22	558.8 (22")	406.4 (16")	254.0	355.6	512.0	263.5	403.2	514.3	527.0			34 (74 lbs)	590	
ESR-13-24	609.6 (24")	431.8 (17")	254.0	381.0	562.8	288.9	454.0	565.1	577.8			30 (66 lbs)	630	
ESR-13-26	660.4 (26")	482.6 (19")	254.0	431.8	613.6	314.3	504.8	615.9	628.6			27 (59 lbs)	680	
ESR-13-28	711.2 (28")	508.0 (20")	279.4	457.2	664.4	339.7	555.6	666.7	679.4			25 (55 lbs)	750	