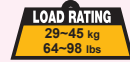
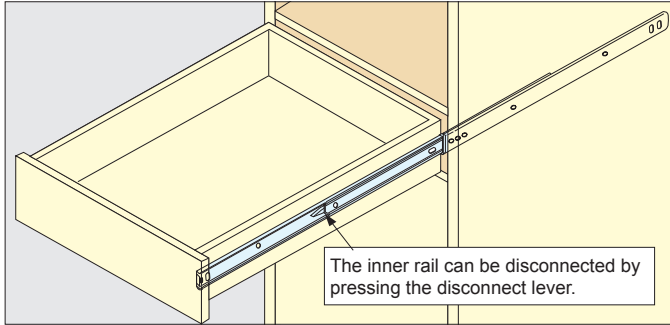


FULL EXTENSION SLIDE

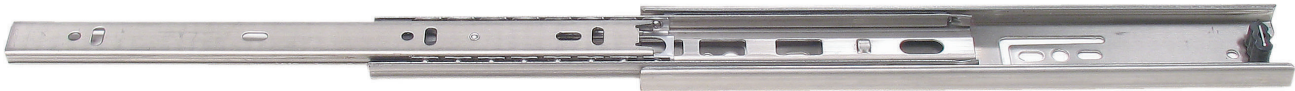


ESR-3813

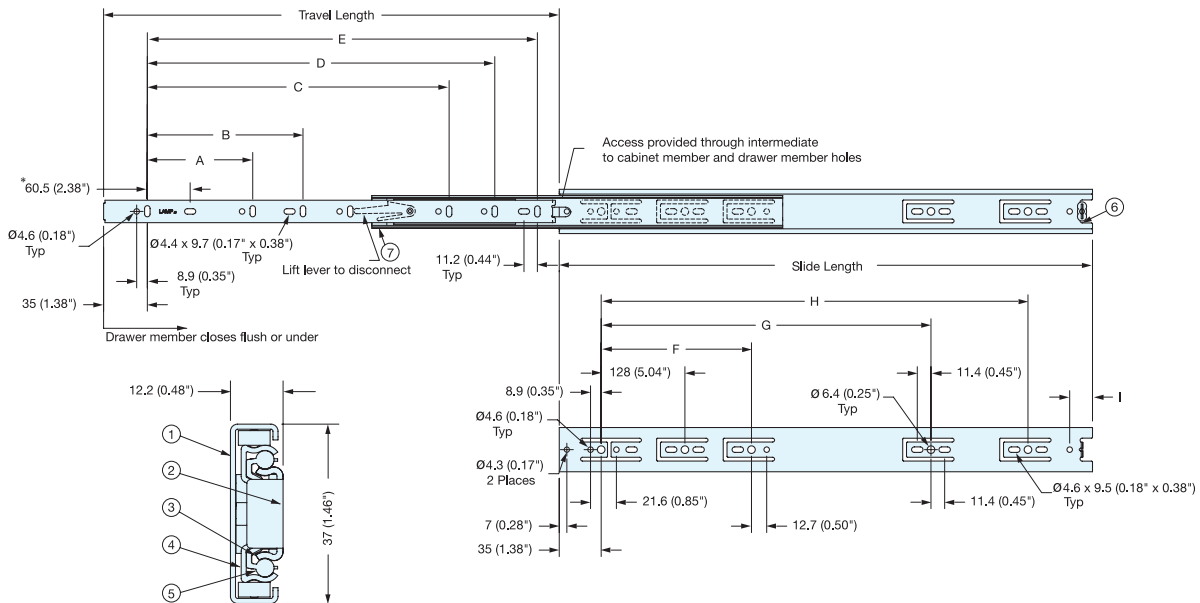
DRAWER SLIDES



- Full extension.
- Front disconnect.
- Positive stop.
- Hold-in detent.
- Non-handed.
- Sold in pairs.
- Mount with M4 or #8, Binding or Pan head screws.



STAINLESS STEEL SLIDES



25.4 mm=1"

No.	Part	Material
①	Outer Rail	304 Stainless Steel
②	Inner Rail	
③	Retainer	
④	Intermediate Member	
⑤	Balls	Rubber
⑥	Detent	
⑦	Lift Lever	Plastic

*Not available on 8" slide

Item No.	Slide Length	Travel Length	A	B	C	D	E	F	G	H	I	Load Rating (kg/pair)	Weight (g)	Box (Pair)								
ESR-3813-8 ☆	200 (7-7/8")	200 (7-7/8")	-	-	-	-	142	-	-	-	-	45 (98 lbs)	400 (0.88 lbs)	10								
ESR-3813-10	250 (9-27/32")	243 (9-9/16")	-	-	-	-	192	-	-	-	-	42 (92 lbs)	530 (1.19 lbs)									
ESR-3813-12	300 (11-13/16")	305 (12")	-	-	-	-	242	-	-	-	-	40 (88 lbs)	637 (1.40 lbs)									
ESR-3813-14	350 (13-25/32")	355 (14")	-	-	-	-	292	-	-	-	-	38 (84 lbs)	726 (1.60 lbs)									
ESR-3813-16	400 (15-3/4")	406 (16")	128	-	-	-	342	224	320	-	19.1	36 (79 lbs)	816 (1.80 lbs)									
ESR-3813-18	450 (17-23/32")	457 (18")					392					352	34 (75 lbs)		910 (2.00 lbs)							
ESR-3813-20	500 (19-11/16")	508 (20")					442					416	33 (73 lbs)		1000 (2.20 lbs)							
ESR-3813-22	550 (21-21/32")	559 (22")					416					492	31 (68 lbs)		1090 (2.40 lbs)							
ESR-3813-24	600 (23-5/8")	610 (24")					224					416	-		542	-	352	448	480	-	31 (68 lbs)	1090 (2.40 lbs)
																					29 (64 lbs)	1180 (2.60 lbs)