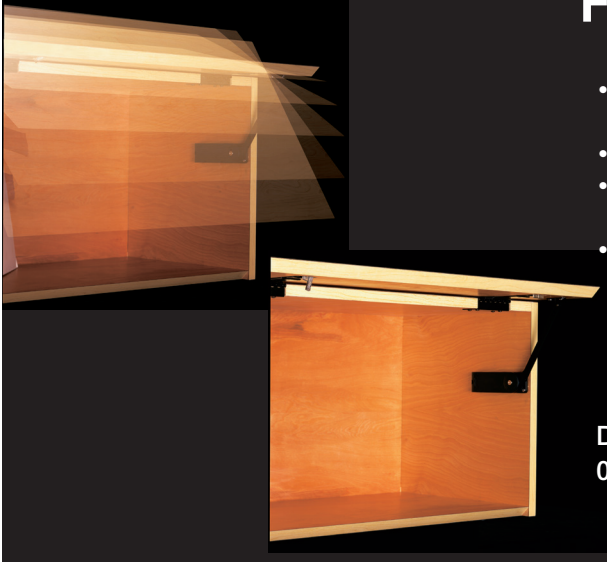


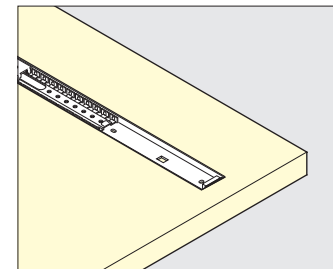
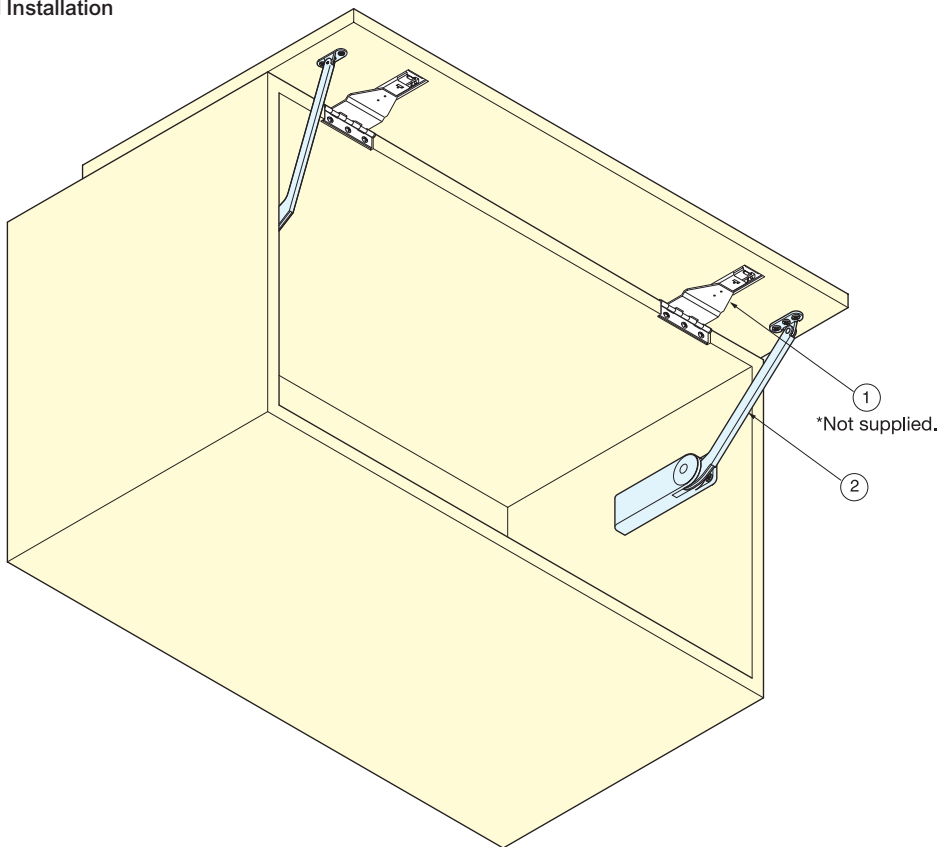
OV-EZ LIFT-ASSIST MECHANISM FOR OVER-THE-TOP FLIPPER DOORS



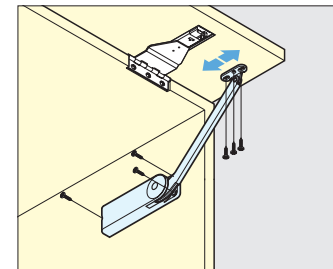
- Assists in opening of flipper doors with minimal resistance.
- Doors will not slam shut.
- Ideal for overhead binder bins, laboratory and kitchen cabinets, etc.
- Successfully passed 30,000 open/close private cycle tests.

Designed to operate at room temperature
0°~40°C (32°~104°F).

■ Installation



① Install ball bearing flipper slide rails.
(Not supplied.)



② Mount the OV-EZ mechanism to the side wall of the cabinet as illustrated in installation instructions provided with the product.

Recommended Door Size and Weight

Item No.	Door Weight For Easy-Up (kg)	Door Weight For Free-Stop (kg)	Door Height (mm)	Weight (g)	Box (pcs)	Carton (pcs)
OV-EZ-3/BL	2.5~4.0 (5.5~8.8 lbs)	4~6.5 (8.8~14.3 lbs)	Approx. 400 (15-3/4")	260	50	500
OV-EZ-5/BL	3.5~5.5 (7.7~11.0 lbs)	5~8.0 (11.0~17.5 lbs)		270		
OV-EZ-7/BL	4.5~6.0 (9.9~13.2 lbs)	6~10.0 (13.2~22.0 lbs)		280		
OV-EZ-9/BL	5.5~7.0 (12.0~15.3 lbs)	7~11.5 (15.4~25.2 lbs)		290		

LIFT-ASSIST MECHANISM



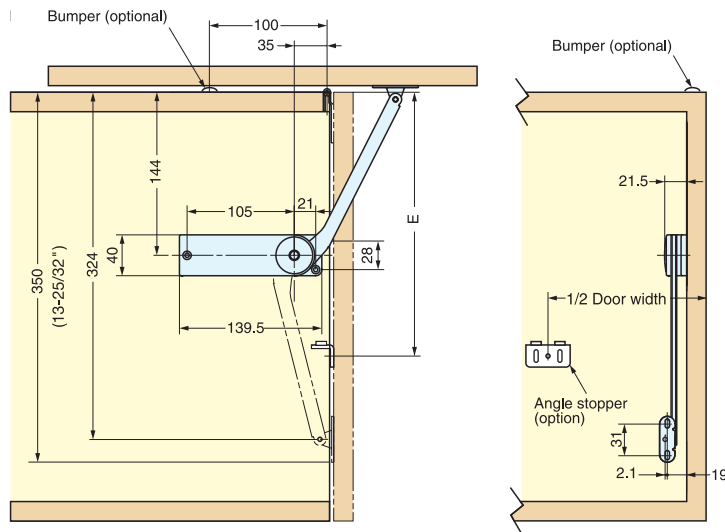
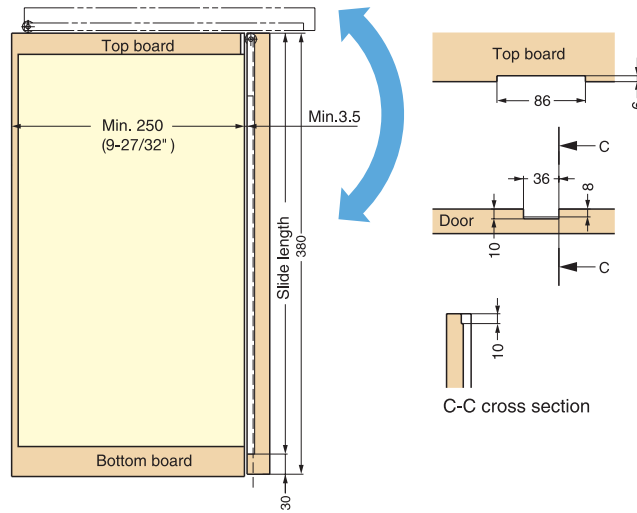
OV-EZ

LID SUPPORTS

LIFT-ASSIST MECHANISM FOR OVER-THE-TOP FLIPPER DOORS



* Used in pairs



Part Name	Material	Finish/Color
Housing	ABS	Black
Arm and Mounting Plate	Steel	Nickel