

HEAVY DUTY SOFT-DOWN STAY



HDS-30

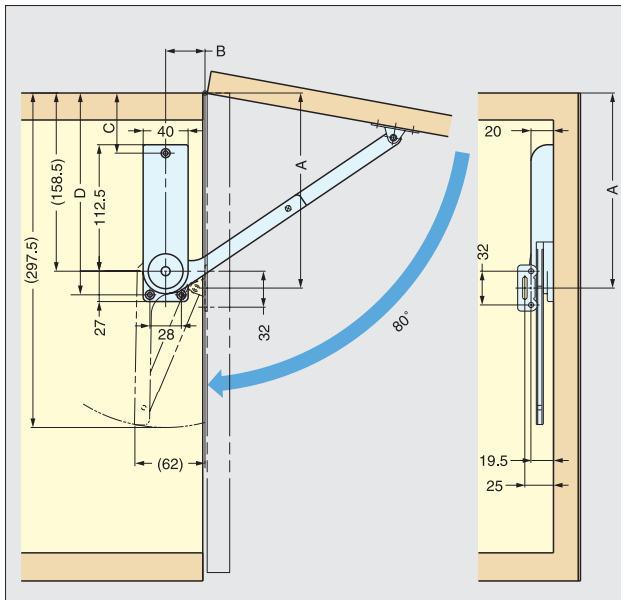
LID SUPPORTS

HEAVY DUTY SOFT-DOWN STAYS

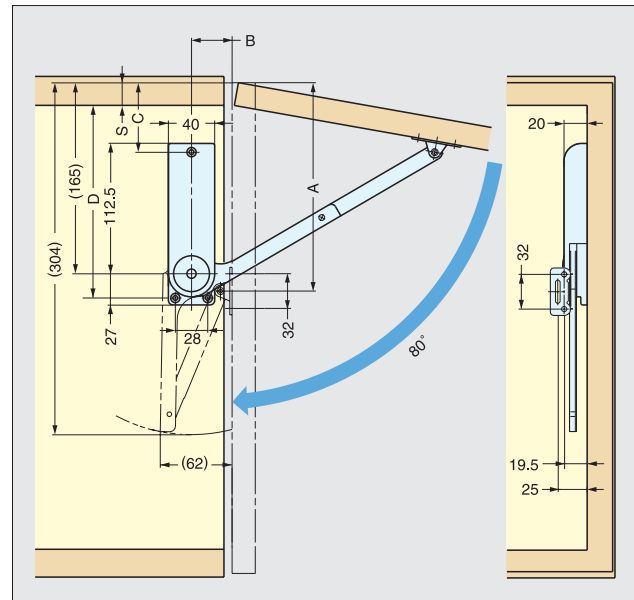


- For UPWARD-OPENING FLAP DOOR used with piano, butt or concealed Hinges.
- Used in pairs.
- HDS-30 is designed to securely latch a flap closed and hold it in the fully opened position.
- Torque Calculation:
Torque = Door Height × 1/2 × Door Weight
- K-Type (Light Duty):
140~200 kg·cm (121~173 lbs·inch)/pair
- M-Type (Medium Duty):
200~250 kg·cm (173~216 lbs·inch)/pair
- H-Type (Heavy Duty):
250~300 kg·cm (216~260 lbs·inch)/pair

With Single Knuckle Hinge



With Concealed Hinge



Overlay Use

Hinge Type	A	B	C	D
Concealed Hinge	180	35	60.0-S	186.0-S
Piano/Butt Hinge	173.5	35	53.5	179.5

S=Overlay coverage by concealed hinge

Item No.		Type	Torque (kg·cm/pair)	Weight (g)	Box (pcs)	Carton (pcs)
Left	Right					
HDS-30KL	HDS-30KR	Light Duty	140~200	270	40	200
HDS-30ML	HDS-30MR	Medium Duty	200~250	290		
HDS-30HL	HDS-30HR	Heavy Duty	250~300	300		

Material	Finish/Color
Steel	Nickel
Plastic	Black, White