

SELF CLOSE STAY

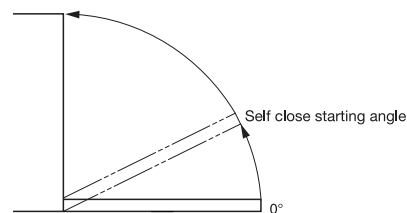


HDS-10S



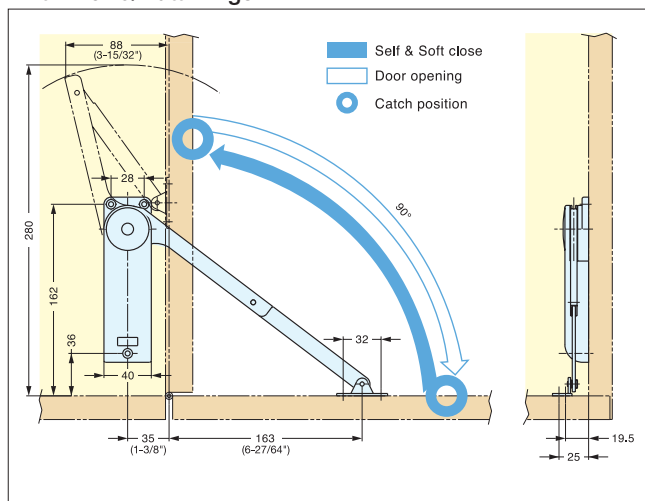
- For DOWNWARD-OPENING FLAP DOOR used with piano, butt or drop hinges (SDH-001, SDH-P, P.238).
- When pushed to close, HDS-10S is designed to self close and soft close
- Used in pairs
- Torque Calculation:
 $Torque = Door\ Height \times 1/2 \times Door\ Weight$
 K-Type: 60~95 kgf.cm (52~82 lbs. Inch)/ pair
 M-Type: 95~130 kgf.cm (82~112 lbs. Inch)/ pair
 H-Type: 110~160 kgf.cm (95~138 lbs. Inch)/ pair
 S-Type: 140~180 kgf.cm (121~156 lbs. Inch)/ pair

Self close starting angle

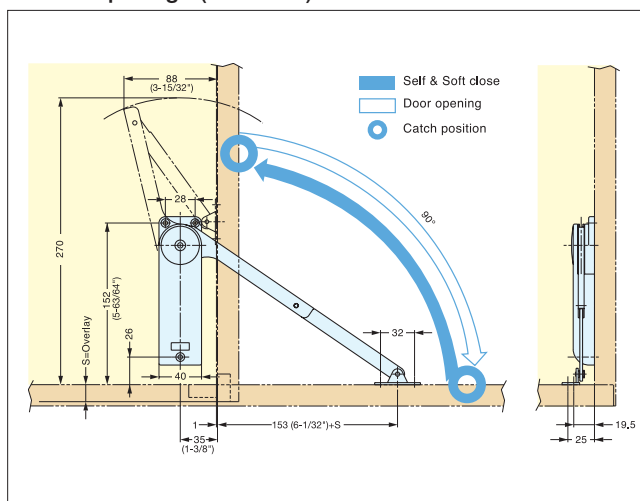


Type	Self close starting angle
K	5°~35°
M	5°~20°
H	
S	5°~15°

With Piano/Butt Hinge



With Drop Hinge (SDH-001)



Item No.		Type	Torque per 2 pieces (kgf·cm)
Left	Right		
HDS-10S-KL	HDS-10S-KR	Light Duty	60~95 (52.2~82.6 lbs·in)
HDS-10S-ML	HDS-10S-MR	Medium Duty	95~130 (82.6~113.0 lbs·in)
HDS-10S-HL	HDS-10S-HR	Heavy Duty	110~160 (95.7~139.0 lbs·in)
HDS-10S-SL	HDS-10S-SR	Super Heavy Duty	140~180 (121.7~156.5 lbs·in)

No.	Part Name	Material	Finish
①	Body	ABS plastic	Black/White
②	Arm	Steel	Nickel
③	Mounting Plate		