

GLASS DOOR BRACKET



HES3D-G90BKT

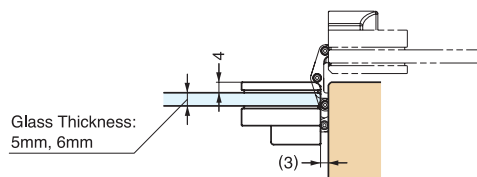
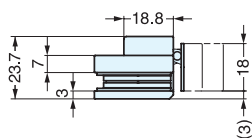
- Glass door bracket for HES3D-90 series.
- Hinge is completely hidden when looking through the glass.
- Screw covers match the bracket with the hinge finish.
- Glass thickness: 1/4" (5-6 mm)



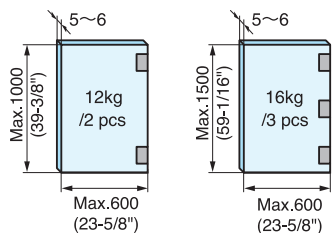
Chrome (CR)

Gold (GP)

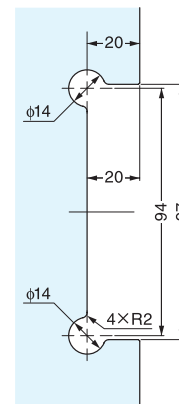
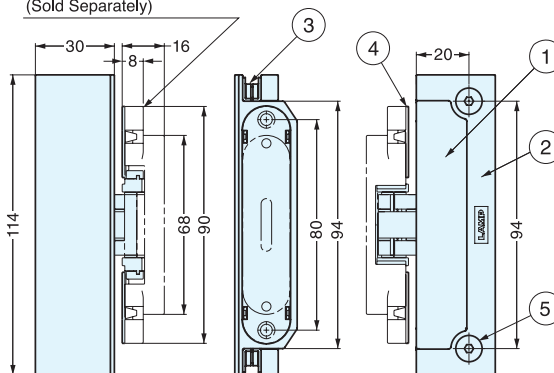
Black (BL)



Concealed Hinge HES3D-90
(Sold Separately)



Door Dimensions and Number of Hinges



Cut Out Dimensions

No.	Part Name	Material	Finish
①	Body	Zinc Alloy	Chrome, Gold Plating, Black
②	Back Plate		
③	Gasket	Chloroprene Rubber	
④	Screw Cover	ABS	
⑤	Hexagon Socket Countersunk Head	Steel	

Item No.	Finish
HES3D-G90BKT-CR	Chrome
HES3D-G90BKT-GP	Gold
HES3D-G90BKT-BL	Black