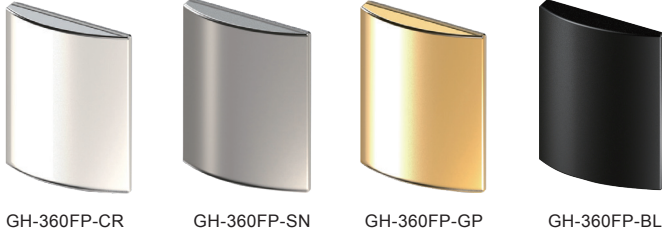


# GLASS DOOR FACE PLATE

# GH-360FP

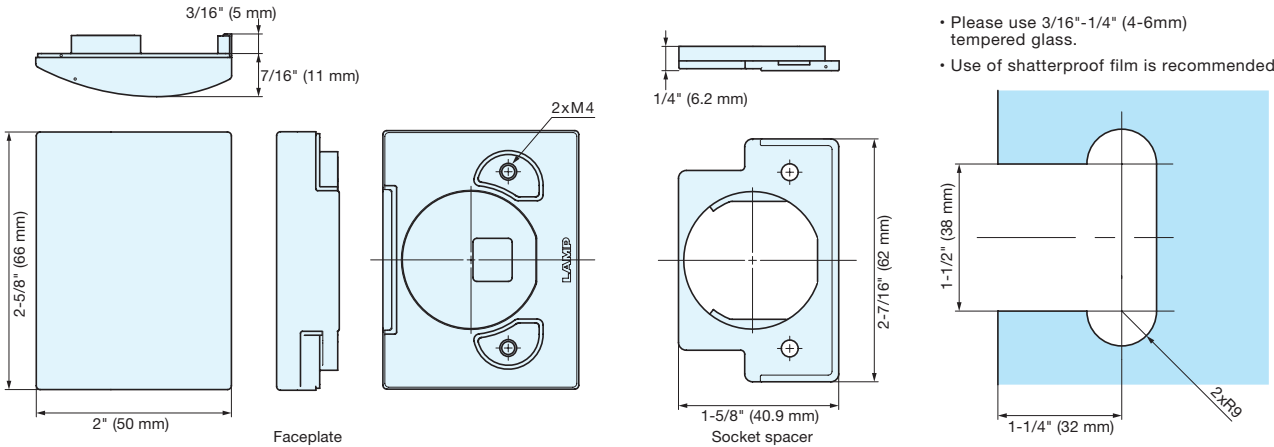
HINGES

GLASS DOOR FACE PLATE



- Glass door face plate designed specifically for the Olympia hinge. (Not suitable for the H360 hinge).
- For tempered glass doors.

Item No.	Finish / Color	Material
GH-360FP-CR	Chrome Plating	Zinc Alloy (ZDC) Polyacetal (POM)
GH-360FP-SN	Satin Nickel	
GH-360FP-GP	24K Gold Plating	
GH-360FP-BL	Black	



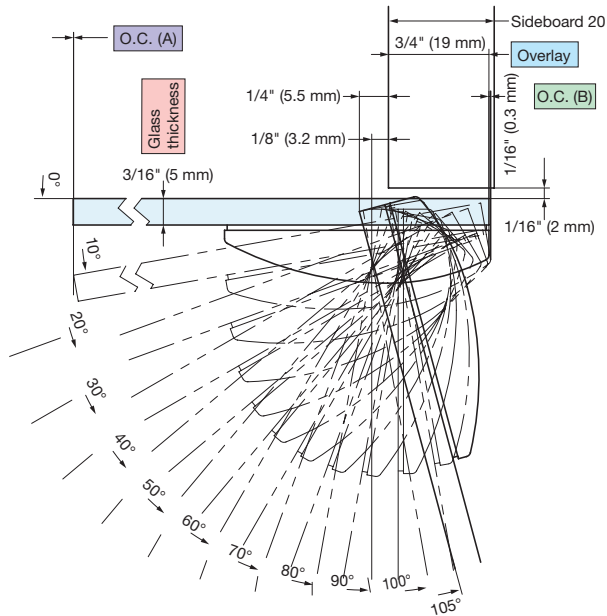
- Cut Out Dimensions**
- Please use 3/16"-1/4" (4-6mm) tempered glass.
  - Use of shatterproof film is recommended.

**Side board and face plate relationship**

► For a 3/16" (5 mm) door, 13/16" (20 mm) sideboard and 3/4" (19 mm) overlay.

► For a 3/16" (5 mm) door, 13/16" (20 mm) sideboard and inset installation.

Locus chart S=7/10 Overlay (3/4" (19 mm))



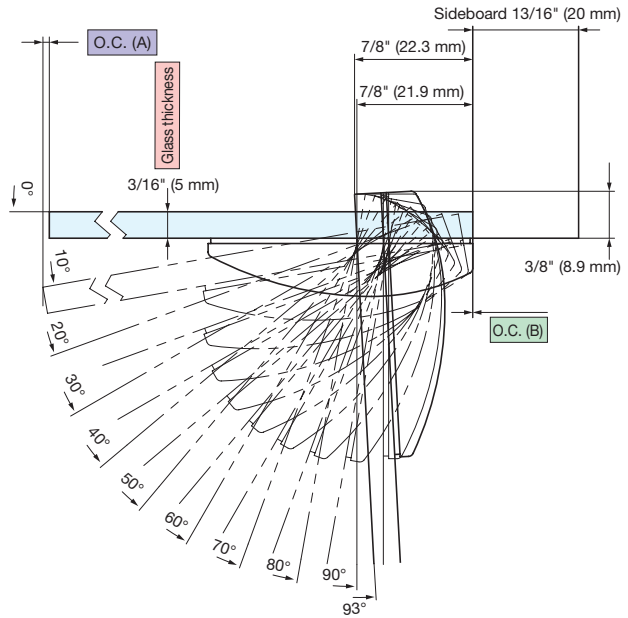
Opening clearance (O.C.)

Glass thickness	3/16" (4 mm)	3/16" (5 mm)	1/4" (6 mm)
O.C. (B)	0.2	0.3	0.5

Opening clearance (A) and door width relationship (for 3/16" (5mm) door)

Glass width	11-13/16" (300 mm)	15-3/4" (400 mm)	19-11/16" (500 mm)	23-5/8" (600 mm)
O.C. (A)	0.07	0.05	0.04	0.03

Locus chart S=7/10 Inset



Opening clearance (O.C.)

Glass thickness	3/16" (4 mm)	3/16" (5 mm)	1/4" (6 mm)
O.C. (B)	0	0	0

Opening clearance (A) and door width relationship (for 3/16" (5mm) door)

Glass width	11-13/16" (300 mm)	15-3/4" (400 mm)	19-11/16" (500 mm)	23-5/8" (600 mm)
O.C. (A)	0.34	0.25	0.19	0.16