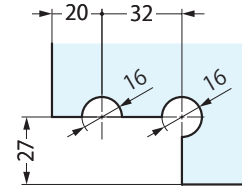


GLASS HINGE (INSET)

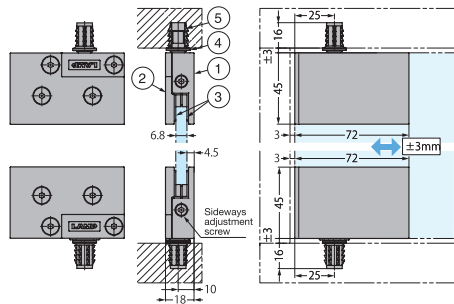
GS-GH20



- Glass showcase hinge for inset door application.
- Can be used with the Million Lock Cylinder GS-GL20 to ensure unified design (lock, catch and hinge).
- Temporary hold function that enables a single person to install the door.
- Use provided gasket for 1/4" (6 mm) thick glass.
- Adjustments for up to ± 3mm by simply turning the adjustment screw.



Cut Out Dimension



No.	Part Name	Material	Finish
①	Body	Zinc Alloy	Chrome, 24K Gold Plated, Black
②	Back Plate		Black
③	Gasket	Chloroprene Rubber	Black
④	Axis	Stainless Steel	Stainless Steel
⑤	Insert	Zinc Alloy	-

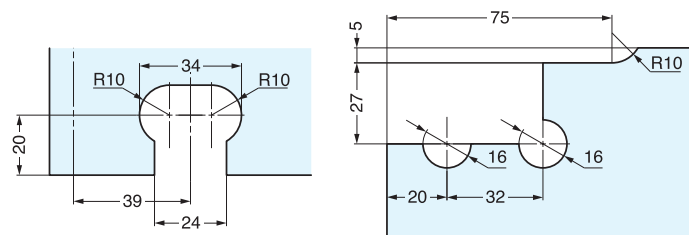
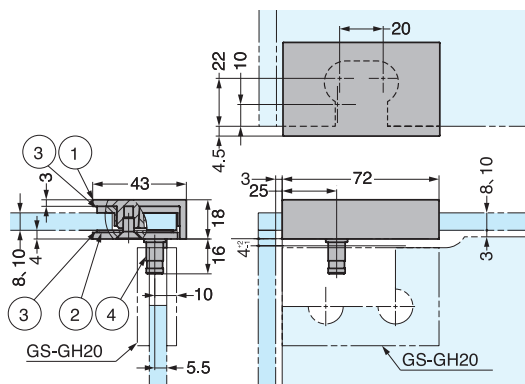
Item Name	Door Width	Door Height	Door Weight	Glass Thickness	Finish
GS-GH20-CR	Max. 27-9/16" (700 mm)	Max. 63" (1600 mm)	44 lbs/2 pcs (20 kg/2 pcs)	1/4", 5/16" (6, 8 mm)	Chrome
GS-GH20-GP					Gold Plated
GS-GH20-BL					Black

GLASS BRACKET

GS-GB20



- Can be used together with glass hinge GS-GH20 (above) and lock GS-GL20.



Cut Out Dimension

Item Name	Type	Glass Thickness	Finish
GS-GB20-R-CR	Right	5/16~3/8" (8~10 mm)	Chrome Plated
GS-GB20-L-CR	Left		24K Gold Plated
GS-GB20-R-GP	Right		
GS-GB20-L-GP	Left		
GS-GB20-R-BL	Right		Black Painted
GS-GB20-L-BL	Left		

No.	Part Name	Material	Finish
①	Body	Zinc Alloy	Chrome, 24K Gold Plated, Black Painted
②	Back Plate	304 Stainless Steel	Black
③	Washer	Chloroprene Rubber	Stainless Steel
④	Rotating Axis	Stainless Steel	