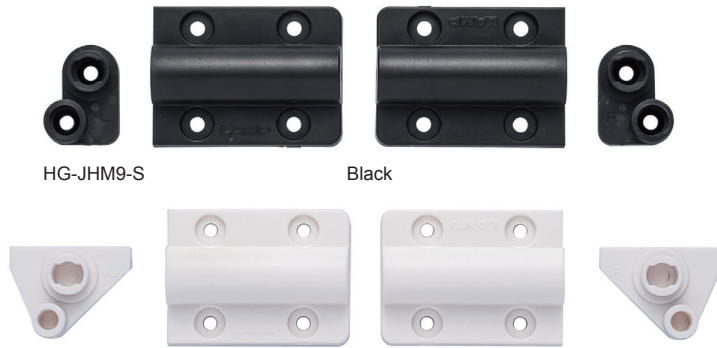


SOFT-CLOSE DAMPENING HINGE



HG-JHM9



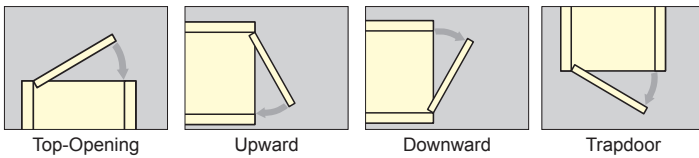
HG-JHM9-S

Black

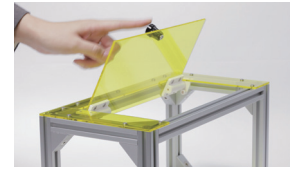
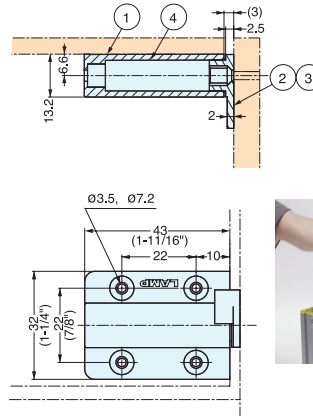
HG-JHM9-U

White

Damping direction



- Hinge with damper built-in to keep lid from slamming shut.
- Surface mounts into the lid.
- Side panel or under panel mounted.
- Sold as a set.



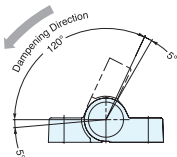
Item No.	Shaft Color	Type	Torque per pair (kgf·cm)
HG-JHM9-S-BL	Black	Side Panel Mount	0.55~0.88 (0.48~0.77 lbs-in)
HG-JHM9-S-WT	White		
HG-JHM9-U-BL	Black	Under Panel Mount	
HG-JHM9-U-WT	White		

No.	Part Name	Material	Finish
①	Bracket	Polyacetal	Black/White
②	Mounting Plate R	PBT plastic	
③	Mounting Plate L		
④	Damper	Polyacetal	-

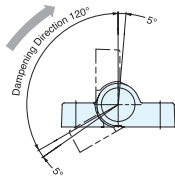
SOFT-CLOSE HINGE



HG-JHW16S

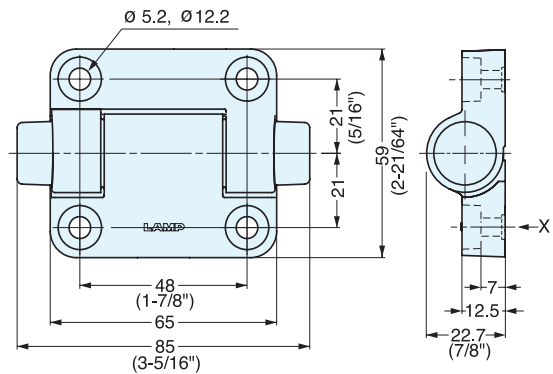


HG-JHW16S



HG-JHW16SG

- Hinge with built-in damper to keep lid from slamming.
- Torque calculation:
- Torque = Door Height x 1/2 Door Weight.
- Passed 70,000 open/close cycle tests.



Item No.	Damper Direction	Torque (kgf·cm)	Weight (g)	Box (pcs)
HG-JHW16S-34	Closing	20~35 (17~30 lbs-in)	83	30
HG-JHW16S-50		35~51 (30~44 lbs-in)		
HG-JHW16S-34G	Opening	20~35 (17~30 lbs-in)		
HG-JHW16S-50G		35~51 (30~44 lbs-in)		
HG-JHW16S-00	No Damper	-	52	

Part Name	Material	Finish/Color
Bracket	PBT plastic	Dark Grey
Cap	Polypropylene	-
Damper	304 Stainless Steel	Plain