

# 1-WAY TORQUE HINGE



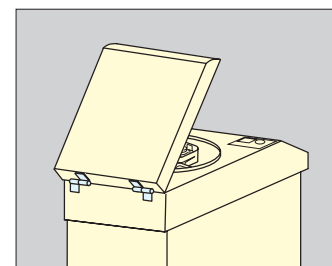
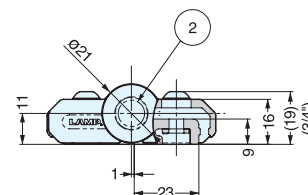
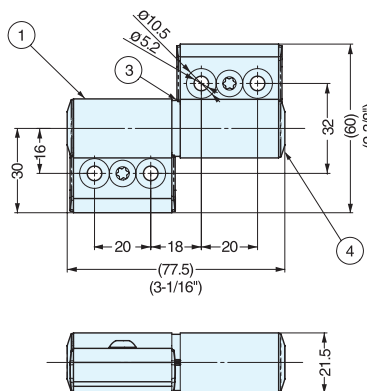
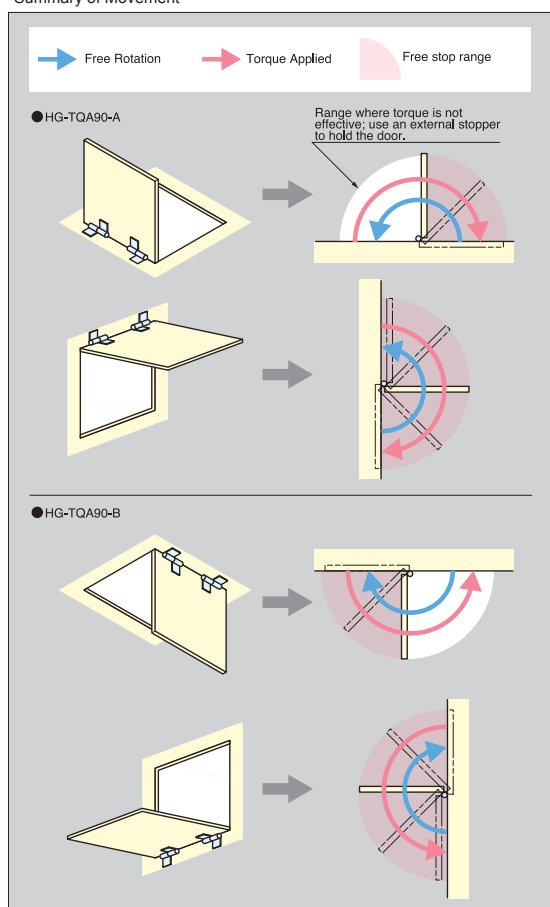
## HG-TQA



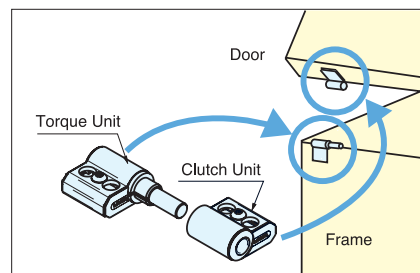
- Friction in one direction only:  
HG-TQA90-A: free rotation when turned counterclockwise, constant torque is applied when turned clockwise.  
HG-TQA90-B: free rotation when turned clockwise, constant is applied when turned counterclockwise.

- Note:
- Initial torque may vary - 20%~ + 40%.
  - Not suited to vibration environment.
  - Torque will be affected by temperature.
  - Not suitable for high frequency use.
  - Do not lubricate.
  - For indoor use only.

### Summary of Movement



Installation



Item No.	Torque (kgf·cm)/pair	Weight (g)/pair	Box (set)	Carton (set)
HG-TQA90-A	91.8 (79.7 lbs-in)	270	10	100
HG-TQA90-B				

No.	Part Name	Material	Finish
①	Body	Aluminum Alloy	Anodized
②	Arm Shaft	Stainless Steel	Plain
③	Sleeve	Polyacetal (POM)	Black
④	Cover	Polyacetal (POM)	Black