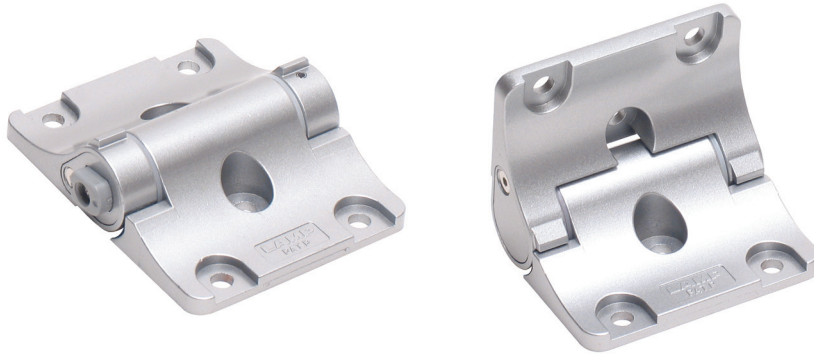


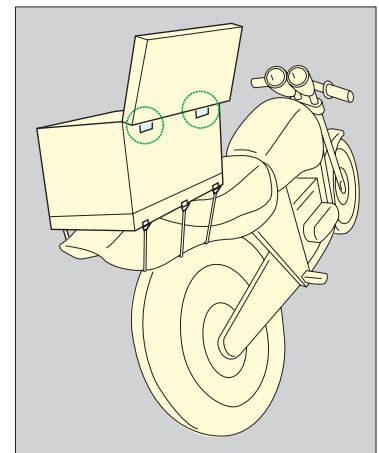
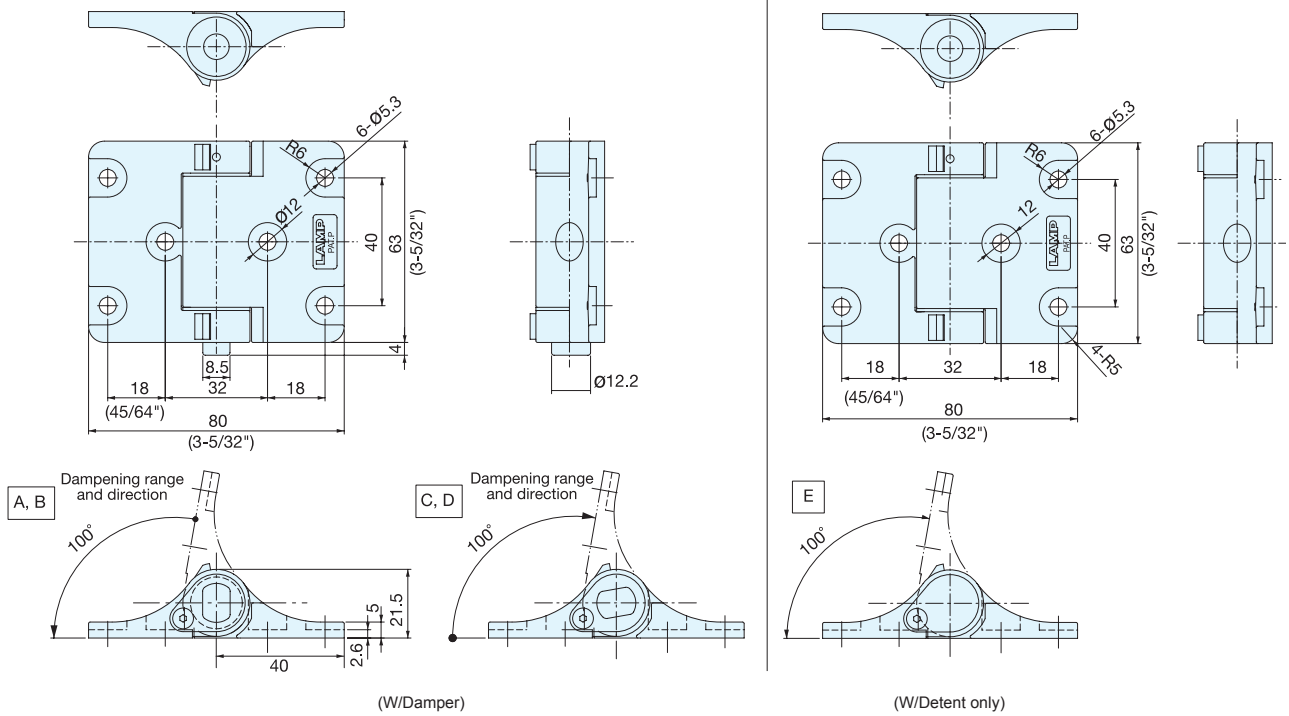
DETENT HINGE (WITH, WITHOUT DAMPER)



HG-CSH63



- Detent hinge with built-in damper as an option.
- Detent will hold lid in open/closed position without secondary support, and optional damper will provide soft closing.
- Operating angle: 100° (Detent at both 0° and 100°)
- Detent holding force: 10.0 kgf·cm (8.8 lbs·in)
- Damper torque range: 10.2~25.5 kgf·cm (9~22 lbs·in)/pc



Item No.	Torque (kgf·cm)/pc	Dampening Direction	Type	Weight (g)	Box (pcs)	Carton (pcs)
HG-CSH63AH	17.3~25.5 (15~22 lbs·in)	Counter Clockwise	A	114.3	10	120
HG-CSH63AM	10.2~17.3 (9~15 lbs·in)		B			
HG-CSH63BH	17.3~25.5 (15~22 lbs·in)	Clockwise	C			
HG-CSH63BM	10.2~17.3 (9~15 lbs·in)		D			
HG-CSH63	-	-	E	98.7		

Material	Finish
Zinc Alloy	Silver