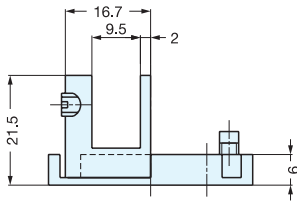
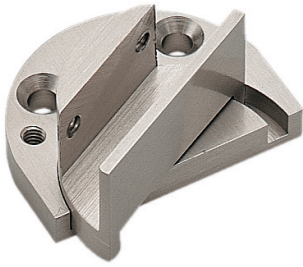


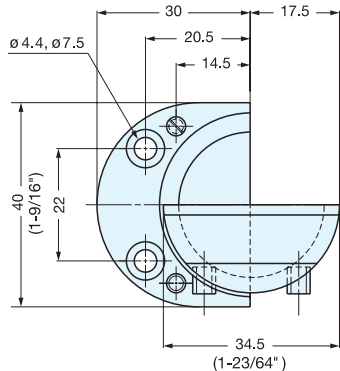
# PIVOT TYPE INSET GLASS DOOR HINGE



**GP-40**

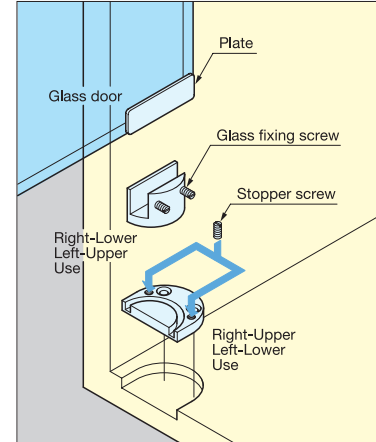


(side view)



(top view)

- Pressure-fit hinge.
- Glass door hinge for inset use.
- Door Size: Max. W450 × H700 × t8 mm (W17-3/4" × H27-9/16" × t5/16")
- Door Weight: Max. 4 kg/pair (8.8 lbs/pair)
- Glass Door Thickness: Max. 8 mm (5/16")
- Pre-drilling on glass not required.
- Non-handed.



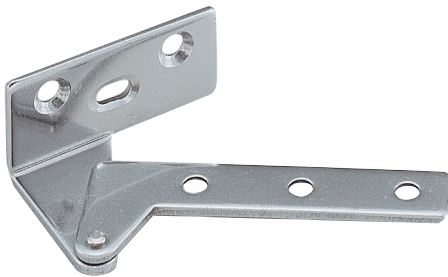
Change the stopper screw position accordingly to install on left/right/top/bottom.

Item No.	Weight (g)	Box (pcs)	Carton (pcs)	Material	Finish
GP-40	76	35	350	Brass	Satin Nickel

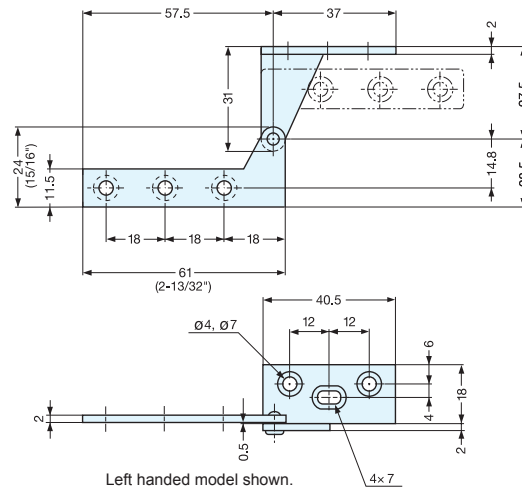
# OVERLAY DOOR PIVOT HINGE



**PL-60**



Left handed model shown.



Left handed model shown.

- Door Size: Max. W450 × H700 × t22 mm (W17-3/4" × H27-9/16" × t7/8")
- Door Weight: Max. 2.6 kg/pair (5.7 lbs/ pair)

Item No.		Weight (g)	Box (pcs)	Carton (pcs)	Material	Finish
Left	Right					
PL-60L	PL-60R	27	100	1000	430 Stainless Steel	Plain