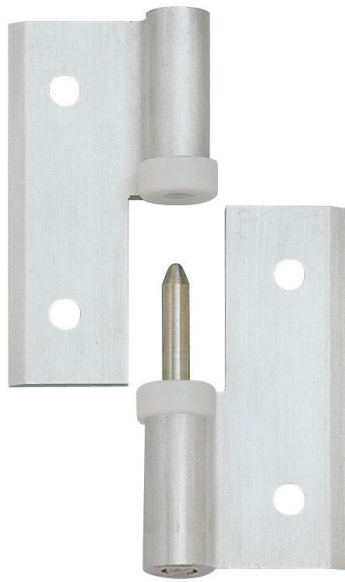


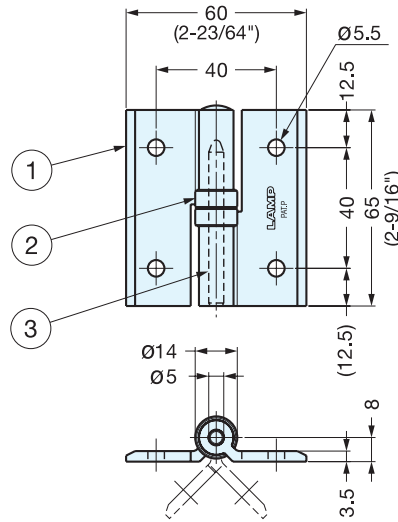
CLEAN ROOM HINGE (W/BUSHING)



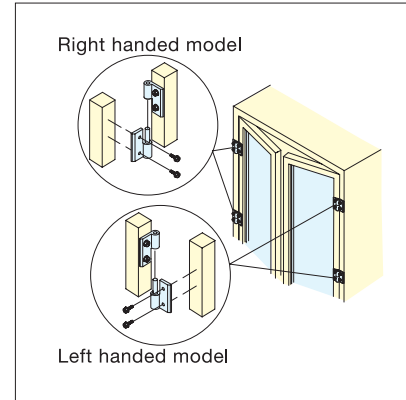
HG-CV65N



Left-Hand Opening



- No metal-to-metal contact.
- Polyacetal bushings minimize particles.
- Ideal for clean room application.



Installation Example

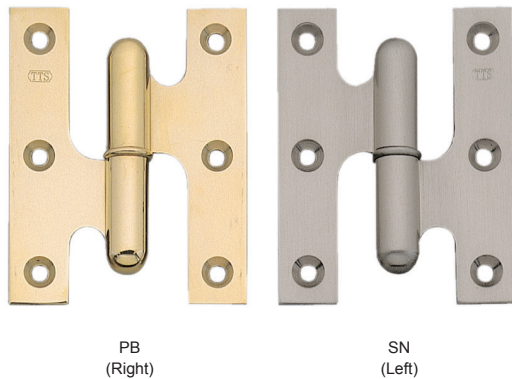
Item No.	Type	Weight (g)	Box (pcs)	Carton (pcs)
HG-CV65NR	Right Hand	49	20	200
HG-CV65NL	Left Hand			

No.	Part Name	Material	Finish
①	Body	Aluminum	Anodized
②	Bushing	Polyacetal	White
③	Hinge Pin	303 Stainless Steel	-

LIFT-OFF HINGE

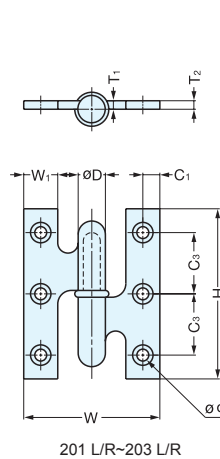


200 SERIES

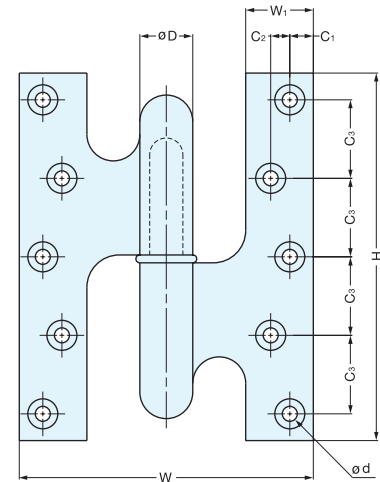


PB (Right)

SN (Left)



201 L/R~203 L/R



204 L/R~205 L/R

Please specify the finish when ordering.

Left hand hinge: If door is pulled open towards your left side.
Right hand hinge: If door is pulled open towards your right side.

Material	Finish
Brass	Polished Brass (PB), Satin Nickel (SN), Chrome (CR)

Item No.		H	W	W ₁	T ₁	T ₂	D	C ₁	C ₂	C ₃	d	Holes	Weight (g)	Box (pcs)	Carton (pcs)
Left	Right														
201L	201R	50 (1-31/32")	40 (1-37/64")	10.0	2.5	2.5	8	5.0	-	18.0	3.5	6	37	20	200
202L	202R	65 (2-9/16")	50 (1-31/32")	13.0	2.8	2.8	10	6.5	-	25.0	3.8		72		
203L	203R	75 (2-61/64")	60 (2-23/64")	15.0	3.0	3.0	11	7.5	-	29.5	4.1		104		
204L	204R	100 (3-15/16")	75 (2-61/64")	19.0	4.5	4.0	15	7.0	4	28.3	4.5	8	241	6	60
205L	205R	125 (4-59/64")	100 (3-15/16")	23.5	5.0	4.5	18	8.0	7	26.7	5.1	10	500		