

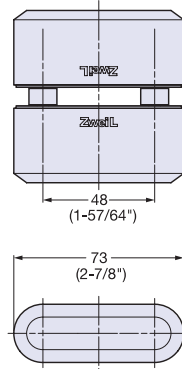
Zwei L Glass Door Pull



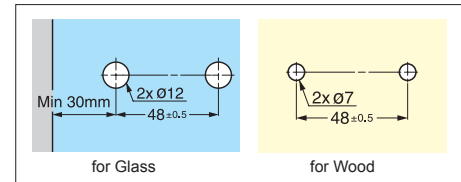
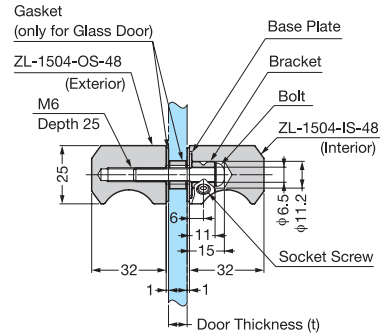
ZL-1504

HANDLES

Zwei L GLASS DOOR PULLS



- Door Thickness (t)
 - Wooden/Metal Frame Door: 36~48 mm (1-7/16"~1-7/8")
 - Glass Door: 6~12 mm (1/4"~1/2")
 - Hardware set for glass only included in back to back set.



Cut out dimensions

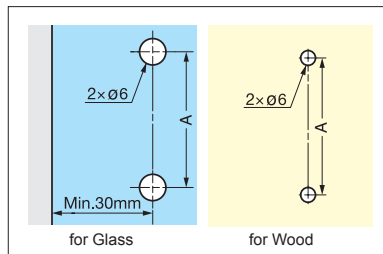
Item No.	Type	Material	Finish/Color	Weight (g)	Box (pcs)
ZL-1504-IS-48	Interior Pull	316 Stainless Steel	Zwei L	432	1
ZL-1504-OS-48	Exterior Pull			462	
ZL-1504-WN-48*	Back-to-Back Pull			989	

*Back-to-Back type includes 2 knobs, screw set and allen key.

Zwei L Glass Door Pull

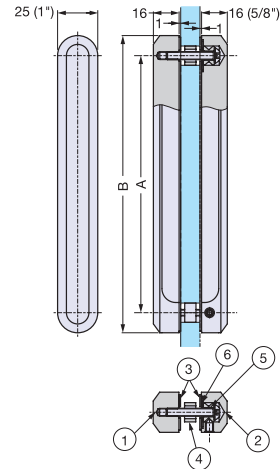


ZL-1505



Cut out dimensions

- Door Thickness (t)
 - Wooden/Metal Frame Door: 40~46 mm (1-9/16"~1-13/16")
 - Glass Door: 8~12 mm (5/16"~1/2")



Item No.	Type	A	B	Weight (g)	Box (pcs)
ZL-1505-IS-160	Interior Pull	160 (6-19/64")	185 (7-9/32")	563	1
ZL-1505-OS-160	Exterior Pull	160 (6-19/64")	185 (7-9/32")	580	
ZL-1505-WN-160*	Back-to-Back Pull	160 (6-19/64")	185 (7-9/32")	1177	

Item No.	Type	A	B	Weight (g)	Box (pcs)
ZL-1505-IS-320	Interior Pull	320 (12-19/32")	345 (13-37/64")	1023	1
ZL-1505-OS-320	Exterior Pull	320 (12-19/32")	345 (13-37/64")	1052	
ZL-1505-WN-320*	Back-to-Back Pull	320 (12-19/32")	345 (13-37/64")	2109	

No.	Part Name	Material
①	Main Body	316 Stainless Steel
②		316 Stainless Steel
③	Gasket	Elastomer
④	Rubber Ring	Chloroprene Rubber
⑤	Bracket	316 Stainless Steel
⑥	Washer	316 Stainless Steel

*Back-to-Back type includes 2 knobs, screw set and allen key.